



INSTALLATION INSTRUCTIONS IMPORTANT SAFEGUARDS

FOR MODELS: ACI-G25-A1

Emergency Lighting Inverter

INSTRUCTION MANUAL IMPORTANT SAFEGUARDS

When using electrical equipment, basic safety precautions should always be followed, including the following:

READ AND FOLLOW ALL SAFETY INSTRUCTIONS:

- 1. Caution:** High voltage may be present on the output wires if AC power is supplied or if the battery connector is engaged.
- 2. Caution:** Ensure that the load voltage requirements of the intended load are compatible with the output of this inverter unit.
3. To reduce the risk of electrical shock, do not engage the battery connector until installation is complete and AC power is supplied to the unit.
4. To reduce the risk of electrical shock, disconnect both the normal power and the battery connector before servicing.
5. This is a sealed unit. Replace the entire unit when necessary.
6. Installation and servicing should be performed by qualified personnel only.
7. This unit must be grounded. See the wiring diagrams for details.
8. This unit must be connected to the unswitched normal source of power with a nominal voltage of 120 – 277 Vac, 50/60 Hz.
9. This unit must be fed from the same branch circuit as the load during normal mode.
10. This unit should be mounted in locations where it will not readily be subjected to tampering by unauthorized personnel.
11. This unit is suitable for factory or field installation.
12. This unit is suitable for use in dry and damp locations where the ambient temperature is in the range of 0 °C minimum to 50 °C maximum.
13. This unit is not suitable for heated air outlets, wet, or hazardous locations.
14. Use of accessory equipment not recommended by the manufacturer may cause an unsafe condition, void the warranty, or result in non-compliance with regulations.
15. Do not mount near gas or electric heaters. Do not use this product outdoors or for any use other than its intended use.
16. Install in accordance with the National Electrical Code and local regulations.

SAVE THESE INSTRUCTIONS



AUXILIARY LIGHTING EQUIPMENT



THIS PRODUCT CONTAINS A RECHARGEABLE LITHIUM-ION BATTERY.
THE BATTERY MUST BE RECYCLED OR DISPOSED OF PROPERLY.



3401 Avenue D, Arlington, TX 76011 • 800-375-6355 • aceleds.com

BE SURE TO READ ALL INSTALLATION INSTRUCTIONS

CAUTION: TO PREVENT HIGH VOLTAGE FROM BEING PRESENT ON THE OUTPUT LEADS BEFORE INSTALLING, MAKE CERTAIN THE AC POWER IS OFF AND THE BATTERY CONNECTOR IS NOT ENGAGED. DO NOT ENGAGE THE BATTERY CONNECTOR UNTIL THE INSTALLATION IS COMPLETE AND AC POWER IS SUPPLIED TO THE UNIT.

NOTE: Ensure that the necessary branch circuit wiring is available. An unswitched source of power with a nominal voltage of 120 – 277 Vac, 50/60 Hz is required. The emergency lighting inverter must be fed from the same branch circuit as the load.

Check the following items to determine if the lighting load is compatible with the emergency lighting inverter.

- A:** Verify that the emergency lighting load's input voltage is compatible with the emergency lighting inverter's output voltage.
- B:** This inverter features 0 – 10 V Auto Dimming to reduce the total power draw of the connected load(s); thereby, (a) preventing the total load power from exceeding the inverter's output capability, and (b) enabling multiple connected loads to share the total delivered power equally. Use the table below and the wiring diagrams to verify compatibility and to ensure proper operation.
- C:** Ensure that there will be sufficient emergency egress lighting illumination levels per national, state, and local codes. Use the following guidelines.
 - 1.)** Determine the efficacy (lm/W) of the luminaire. This information is typically given by the luminaire manufacturer in lumens per Watt (lm/W or LPW), or by direct measurement or published by a 3rd party such as Design Lights Consortium (www.designlights.org).
 - 2.)** The light output of the luminaire in lumens can be calculated by multiplying the power (W) drawn by the luminaire by the efficacy of the luminaire given in (lm/W). This will provide an estimate of light output in lumens as a beginning point for the emergency lighting design. Use the following equation and example as a guide:

Example Calculation:

Given:

- The Luminaire power drawn in emergency-mode = 10 Watts
- The Luminaire efficacy = 120 lm/W (also called LPW)

Then: The emergency-mode light output = 10 X 120 = 1200 lm

NOTE: The above serves only as an example, actual results will depend on the specific data for the specific application.

- 3.)** Once the light output (lm) is determined, use industry standard lighting design tools to estimate the illumination levels for the emergency egress path based on mounting height and other factors.

NOTE: This product is compatible with most LED fixtures, Fluorescent fixtures, and Incandescent loads that meet criteria A, B, and C above. However, interoperability and compatibility cannot be guaranteed. Compatibility and interoperability testing for the end-use application is recommended. Please contact the factory should there be any questions.

NOTE: After installation, it is necessary that the emergency egress lighting illumination levels be measured to ensure compliance with national, state, and local codes.



INSTALLATION INSTRUCTIONS

Inverter model, maximum inverter output power in emergency-mode, and maximum total load power in normal-mode:

Model	Maximum Inverter Output Power* (W) (Emergency-Mode)	Maximum Total Load Power** (W) (Normal-Mode)
ACI-G25-A1	25	75 (Note: The maximum total load power must not exceed 75 Watts. The inverter will only deliver a maximum of 25 Watts in emergency-mode.)

*** Note:** The maximum inverter output power (emergency-mode) is defined as the maximum output power that the inverter can deliver in emergency-mode. For example, the model ACI-G25-A1 will deliver a maximum of 25 Watts to the connected load in emergency-mode.

**** Note:** The maximum total load power (normal-mode) is defined as the maximum total normal-mode steady-state long-term load power of all connected loads, while in normal-mode. For example, if the 0 - 10 V Auto Dimming feature is used, then the maximum total normal-mode power of all connected loads shall not exceed 75 Watts for the model ACI-G25-A1.

Example: If two 35-Watt LED fixtures are connected to the model ACI-G25-A1, then the maximum total load power (normal-mode) is 70 Watts. This total 70-Watt load does not exceed the 75-Watt limit; thus, it qualifies. If the system is configured to utilize the 0 - 10 V Auto Dimming feature, then in emergency-mode, the model ACI-G25-A1 will deliver a maximum of 25 Watts to the connected load, delivering 12.5 Watts to each of the two LED fixtures.

See individual specifications for the specific inverter model to determine the maximum total normal-mode steady-state long-term load power allowed when not utilizing the 0 - 10 V Auto Dimming feature.

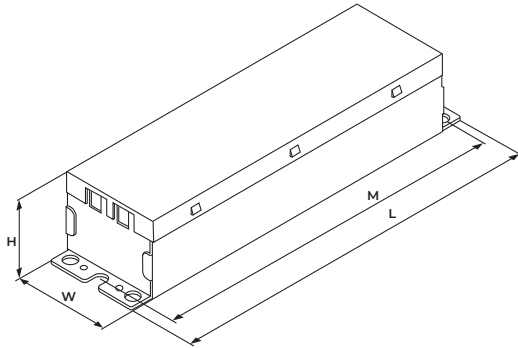


3401 Avenue D, Arlington, TX 76011 • 800-375-6355 • aceleds.com

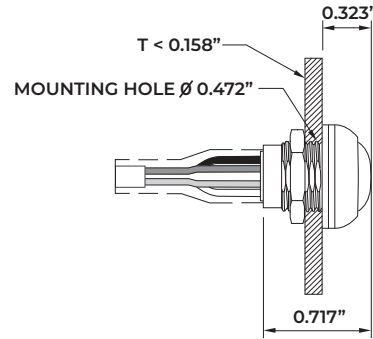
Data is based upon tests performed by ACE LEDS in a controlled environment and representative performance. Actual performance can vary depending on operating conditions. Specifications are subject to change without notice. All specifications are nominal unless otherwise noted.

Step 1.) Installing the emergency lighting inverter

- Ensure that AC power is off.
- Mount the emergency lighting inverter with the mounting tabs using the supplied hardware.



Emergency Lighting Inverter unit



LED Test Switch

Model	Length	Width	Height	Mounting
ACI-G25-A1	20.67	2.24	2.05	20.28

All dimensions in inches.

Step 2.) Wiring diagram selection:

Select the appropriate wiring diagram.

Note: All wiring practices and connections should comply with the National Electrical Code and local safety guidelines and regulations.

Step 3.) Wiring the AC power input section: Connect the AC Input wires following the chosen wiring diagram and the wiring instructions for the selected fixture load configuration type per the given table.

Step 4.) Wiring the output section: Following the chosen wiring diagram, connect the ORANGE wire (AC Output Line) to the AC Line Input of each fixture, and connect the GRAY wire (AC Output Neutral) to the AC Neutral Input of each fixture.

Step 5.) Wiring the 0 – 10 V Auto Dimming section: Following the chosen wiring diagram, and the instructions, connect the dimming section as shown. If the 0 – 10 V Auto Dimming feature is not used, cap off the RED/WHITE, BLUE/WHITE, PINK, and PURPLE wires.

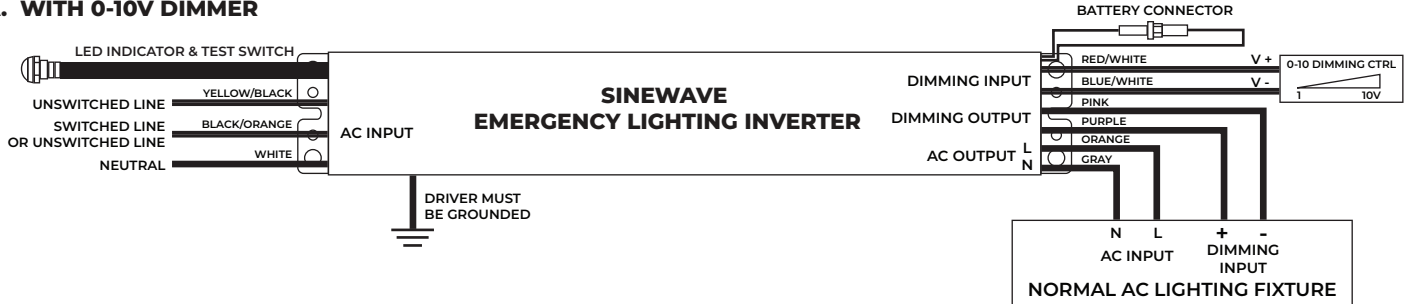
Step 6.) Installing the LED Indicator & test switch: After the wiring connections and installation are complete, supply AC power and engage the battery connector. With AC power connected, and with the battery connector engaged, the LED indicator should illuminate indicating that the battery is charging correctly.

Step 7.) Apply AC power: After the wiring connections and installation are complete, supply AC power and engage the battery connector. With AC power connected, and with the battery connector engaged, the LED indicator should illuminate indicating that the battery is charging correctly.

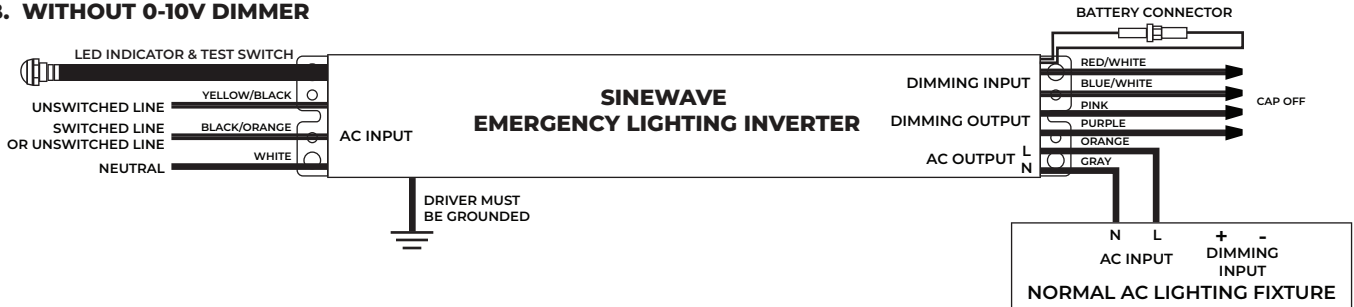
Step 8.) Final Step, test the emergency lighting inverter: After the battery has charged for at least one hour, a short-term discharge test may be conducted by pressing and holding the test switch. The emergency lighting inverter should be allowed to charge for 24 hours before conducting a 90-minute discharge test.

WIRING DIAGRAMS FOR OPERATING ONE SINGLE FIXTURE

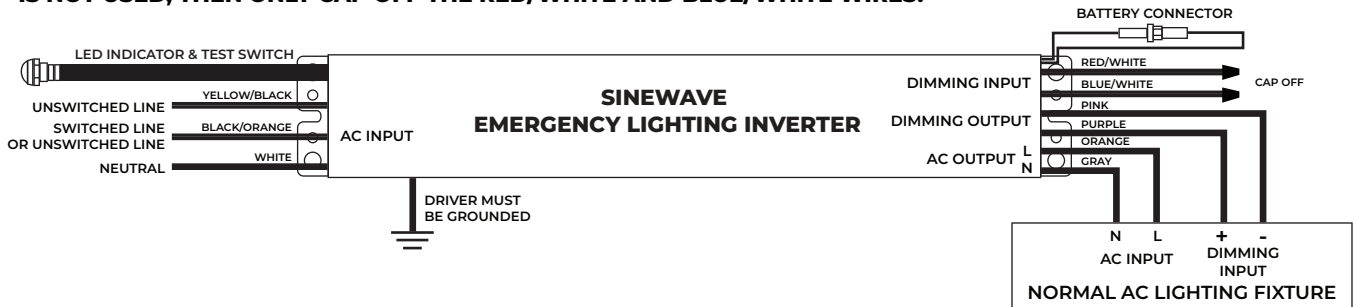
A. WITH 0-10V DIMMER



B. WITHOUT 0-10V DIMMER



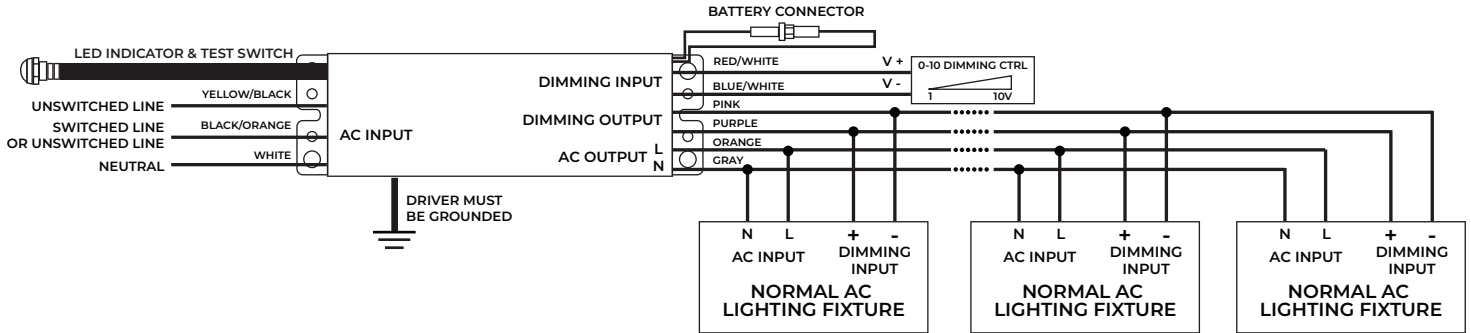
C. IF THE 0 - 10 V AUTO DIMMING FEATURE IS USED, BUT EXTERNAL 0 - 10 V DIMMING CTRL IS NOT USED, THEN ONLY CAP OFF THE RED/WHITE AND BLUE/WHITE WIRES.



- A.) The wiring diagrams shown depict full functionality utilizing the 0 - 10 V Auto Dimming feature.
- B.) If the 0 - 10 V Auto Dimming feature is not used, cap off the RED/WHITE, BLUE/WHITE, PINK, and PURPLE wires.
- C.) If the 0 - 10 V Auto Dimming feature is used, but external 0 - 10 V Dimming CTRL is not used, then only cap off the RED/WHITE and BLUE/WHITE wires.

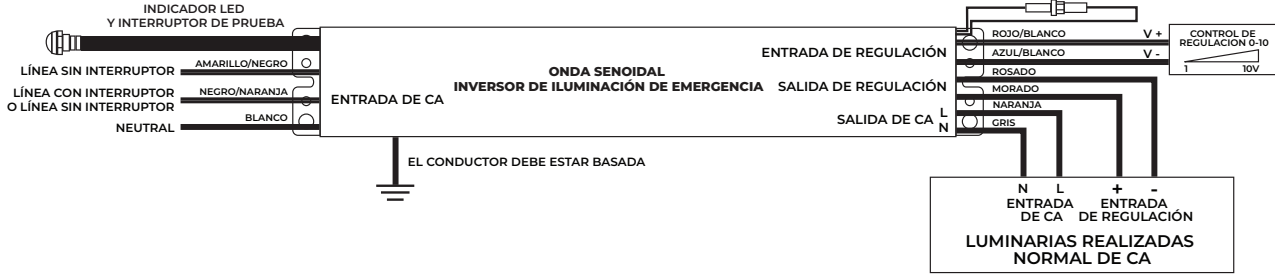
Fixture Load Configuration Type	Wiring Instructions
Switched: The Normal AC Lighting Fixture is utilized in both Normal-Mode and Emergency-Mode.	Connect the YELLOW/BLACK wire to the Unswitched Line, and connect the BLACK/ORANGE wire to the Switched Line
Normally On/always On/Unswitched	Connect the BLACK/ORANGE wire to the YELLOW/BLACK wire
Normally Off/Emergency-mode only	Cap off the BLACK/ORANGE wire

WIRING DIAGRAM FOR OPERATING MULTIPLE FIXTURES

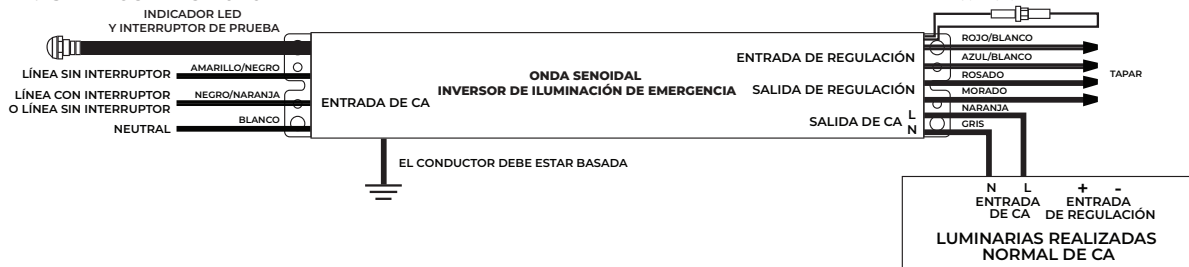


DIAGRAMAS DE CABLEADO PARA OPERAR UNA SOLA LUMINARIA

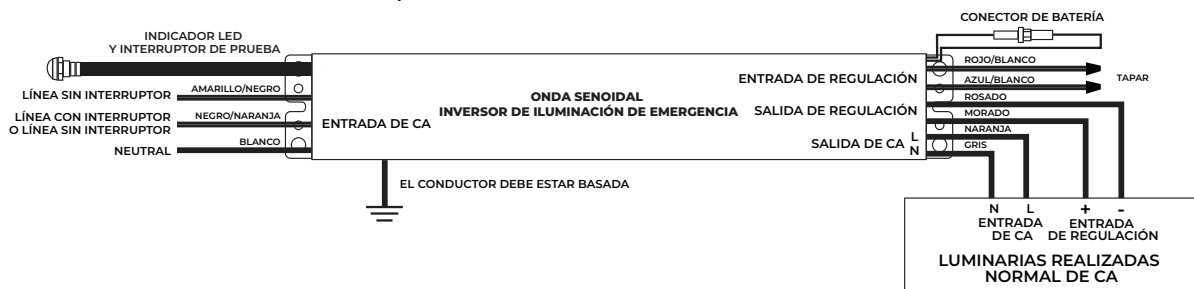
A. CON REGULADOR 0-10V



B. SIN REGULADOR 0-10V



C. SI SE UTILIZA LA FUNCIÓN DE ATENUACIÓN AUTOMÁTICA DE 0 - 10 V, PERO NO SE UTILIZA EL CONTROL DE ATENUACIÓN EXTERNO DE 0 - 10 V, ENTONCES SOLO CUBRA LOS CABLES ROJO/BLANCO Y AZUL/BLANCO



- A.) Los diagramas de cableado mostrados representan la funcionalidad completa utilizando la característica de atenuación automática de 0 - 10 V.
- B.) Si no se utiliza la característica de atenuación automática de 0 - 10 V, tape los cables ROJO/BLANCO, AZUL/BLANCO, ROSA y MORADO.
- C.) Si se utiliza la característica de atenuación automática de 0 - 10 V, pero no se usa el control externo de atenuación de 0 - 10 V, entonces solo tape los cables ROJO/BLANCO y AZUL/BLANCO.

Tipo de Configuración de Carga del Foco	Instrucciones de Cableado
Conmutado: La luminaria de CA normal se utiliza tanto en modo normal como en modo de emergencia.	Conectar el cable AMARILLO/NEGRO a la línea sin interruptor y conectar el cable NEGRO/NARANJA a la línea interruptor
Normalmente Encendido/Siempre Encendido/Sin Interruptor	Conectar el cable NEGRO/NARANJA al cable AMARILLO/NEGRO
Normalmente Apagado/Solo en Modo de Emergencia	Tape el cable NEGRO/NARANJA

DIAGRAMA DE CABLEADO PARA OPERAR MÚLTIPLES LUMINARIAS

D. PARA OPERAR MÚLTIPLES LUMINARIAS

