

ENGLISH WIRING DIAGRAM

ACI-G25-A1 SINEWAVE EMERGENCY LIGHTING INVERTER

INPUT RATINGS:
 • Input Voltage: 120-277 V, 50/60 Hz
 • Input Current (max): 120 mA
 • Input Power (max): 14 W
 • Power Factor: >0.9

OUTPUT RATINGS:
 • Output Voltage: 120/277 Vac
 • Output Power (Unity PF): 0.025 kW
 • Load Power Factor Range: 0.65 leading to 0.65 lagging
 • Minimum Battery Charge Time: 24 hours
 • Rated Operating Time: 90 minutes

CSA C22.2 No. 141,
 Emergency Lighting Equipment
 Appareil d'éclairage de secours



800-375-6355
 Made in Taiwan - AM250

USE COPPER WIRE

Ambient operating temperature: 0 to 50 °C

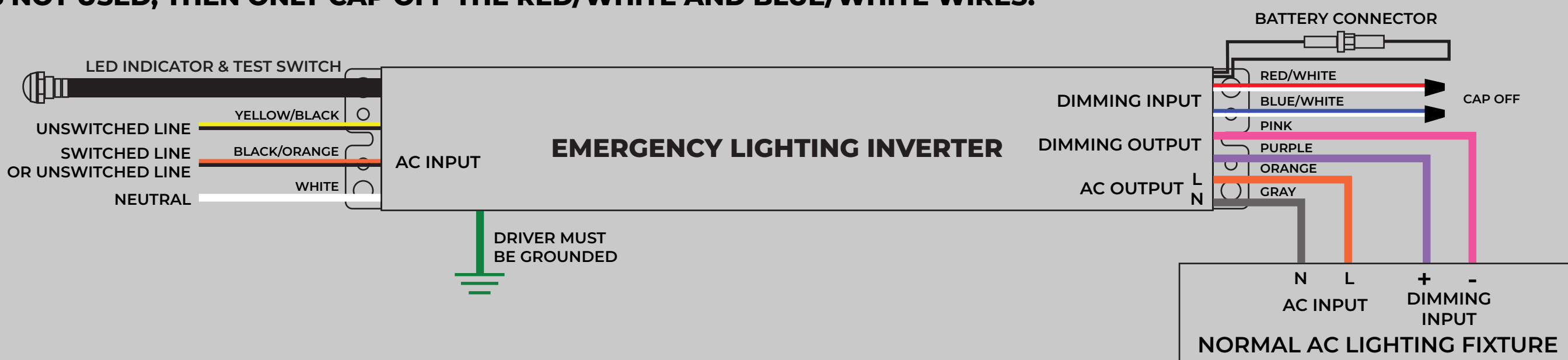
A. WITH 0-10V DIMMER



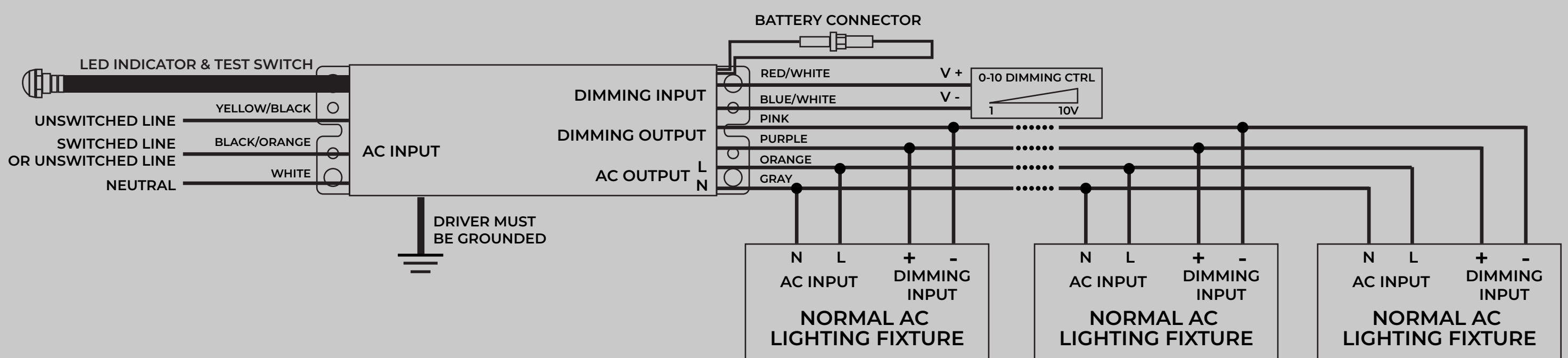
B. WITHOUT 0-10V DIMMER



C. IF THE 0 - 10 V AUTO DIMMING FEATURE IS USED, BUT EXTERNAL 0 - 10 V DIMMING CTRL IS NOT USED, THEN ONLY CAP OFF THE RED/WHITE AND BLUE/WHITE WIRES.



D. FOR OPERATING MULTIPLE FIXTURES



ESPAÑOL DIAGRAMA DE CABLEADO

ACI-G25-A1 SINEWAVE EMERGENCY LIGHTING INVERTER

INPUT RATINGS:
 • Input Voltage: 120-277 V, 50/60 Hz
 • Input Current (max): 120 mA
 • Input Power (max): 14 W
 • Power Factor: >0.9

OUTPUT RATINGS:
 • Output Voltage: 120/277 Vac
 • Output Power (Unity PF): 0.025 kW
 • Load Power Factor Range: 0.65 leading to 0.65 lagging
 • Minimum Battery Charge Time: 24 hours
 • Rated Operating Time: 90 minutes

CSA C22.2 No. 141,
 Emergency Lighting Equipment
 Appareil d'éclairage de secours



800-375-6355
 Made in Taiwan - AM250

USE COPPER WIRE

Ambient operating temperature: 0 to 50 °C

