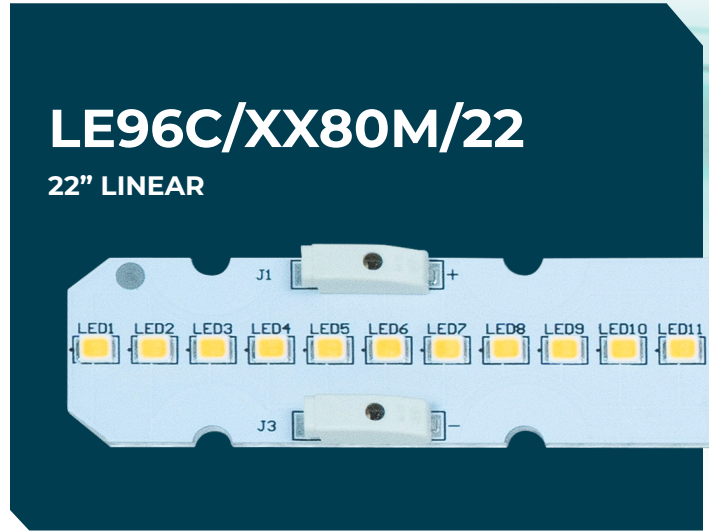




Electrical Specifications

Driver type:	Constant Current
Drive Current:	900 mA Typ. / 1800 mA Max.
Total Board Power:	41.1 W Typ. / 91.7 W Max.
Life:	50,000 Hrs. @ 85 °C
Max Junction Temp:	85 °C
Max Test Point Temp:	120 °C
Operating Temp:	-40 °C to +105 °C
Storage Temp:	-40 °C to +100 °C
Viewing Angle (FWHM):	120° Lambertian distribution



Manufactured in the USA with domestic and foreign components.



LE96C/XX80M/22 • Nominal Forward Voltage: 45.6 V Nom. / 50.9 V Max.

Model	Color Temp (K)	Forward Voltage (V)	Drive Current (mA)	Power (W)	Lumens	Efficacy (Lm/W)
LE96C/2780M/22	2700	45.6 Nom. / 50.9 Max	900 Typ. / 1,800 Max	41.1 Typ. / 91.7 Max	6,774 Typ. / 12,356 Max	164.9 Typ. / 134.8 Max
LE96C/3080M/22	3000				6,976 Typ. / 12,725 Max	169.8 Typ. / 138.8 Max
LE96C/3580M/22	3500				7,077 Typ. / 12,910 Max	172.2 Typ. / 140.8 Max
LE96C/4080M/22	4000				7,279 Typ. / 13,278 Max	177.2 Typ. / 144.9 Max
LE96C/5080M/22	5000				7,380 Typ. / 13,463 Max	179.6 Typ. / 146.9 Max

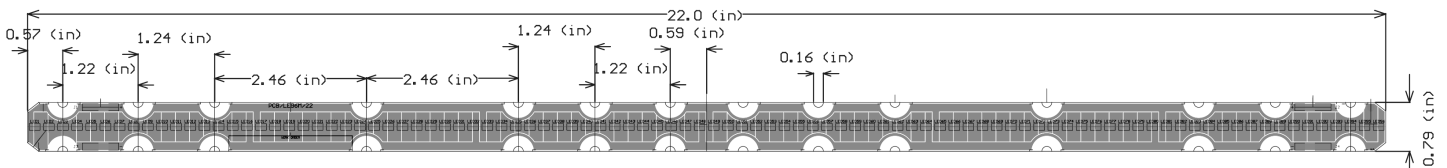
Overview:

- Constant Current DC Array
- 16 LEDs in series x 6 parallel strings
- Designed for easy use in standard luminaires
- 3-step MacAdam Ellipse
- UL Recognized Components

Connectivity:

For Poke-In Connectors use #24-18 AWG stranded or BJB Connector, Part # 46.141.1001.50

Dimensions:



- 1.0 W/m*K Aluminum MCPCB material
- 1.6 mm board thickness

Disclaimer: The modules referenced in this document are designed for use with either Cree or Samsung LEDs, unless explicitly specified otherwise, as is the case with Turtle-friendly modules. The inclusion of the letter "M" in the model number signifies that the standard configuration assumes the utilization of Cree or Samsung LEDs.

3401 Avenue D, Arlington, TX 76011 • 800-375-6355 • www.aceleds.com

Data is based upon tests performed by AC Electronics in a controlled environment and representative performance. Actual performance can vary depending on operating conditions. Specifications are subject to change without notice. All specifications are nominal unless otherwise noted.

