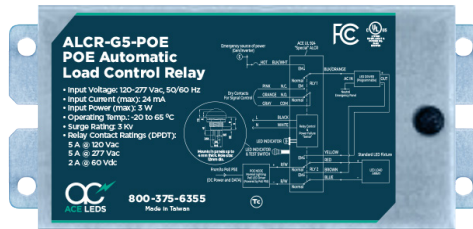


**ALCR-G5-POE
POE Automatic Load Control Relay**



Primary Specifications:

Input Voltage	Input Current Max	Input Power	Operating Temperature	ALCR Relay Contact Rating	Low Voltage DC Relay Contact Rating
120-277 Vac 50/60 Hz	24 mA	3 W	-20 to 65 °C	5 A @ 120 Vac 5 A @ 277 Vac	2 A @ 60 Vdc



Description:

The **ALCR-G5-POE** POE Automatic Load Control Relay is an emergency lighting control device which allows designated luminaires to be powered in emergency-mode by an emergency source of power, such as a remote generator or inverter, upon the loss of normal power. The **ALCR-G5-POE** includes two separate relays. One relay is an AC power ALCR. A second relay is a DPDT DC rated relay. Under normal power conditions, the designated LED Array is powered by a POE LED driver. When there is a loss of normal power, the **ALCR-G5-POE** senses the loss of normal power and performs two primary actions: (1) the **ALCR-G5-POE** disconnects the LED array from the POE LED driver and connects the LED array to the output of an AC LED driver, and (2) the **ALCR-G5-POE** serves as a ALCR

connecting the emergency AC source of power to the AC LED driver which then powers the designated LED array in emergency-mode. When normal power returns, the **ALCR-G5-POE** returns the relays back to their normal state. Additionally, the **ALCR-G5-POE** provides a set of SPDT relay “dry” contacts, NC, NO, and Com, as a “return to normal power” control signal for external connection. The DPDT DC rated relay is rated for 2 A at 60 Vdc, therefore it is not limited to use with POE lighting systems, it may be used to control other types of low voltage dc lighting systems. The **ALCR-G5-POE** allows for emergency lighting supplied by and powered from the AC emergency source of power independent and separate from the POE lighting system, or other low voltage DC lighting system.

Additional Specifications:

Input Voltage:.....120-277 Vac, 50/60 Hz
 Input Current max: 24 mA
 Input Power:.....3 W
 Operating Temperature:.....-20 to 65 °C
 ALCR Relay Contact Rating:..... 5 A @120 Vac / 5 A @277 Vac
 Low Voltage DC Relay Contact Ratings:2 A @60 Vdc
 Weight:.....0.7 lbs
 Dimensions:.....5.24 in L x 2.48 in W x 1.18 in H x 4.84 in M

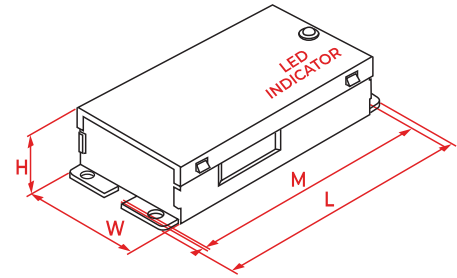
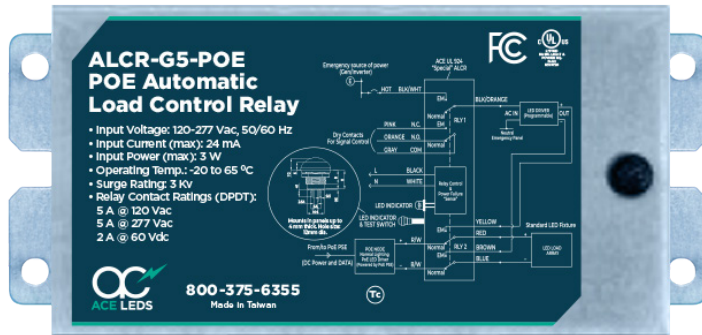
Safety and Regulatory Compliance:

- UL and cUL Listed Emergency Lighting Control Device (UL 924)
- UL listed for field and factory installation
- EMI: Complies to FCC commercial limits
- RoHS compliant

Features, Benefits, and Applications:

- Allows full illumination (or some other setting level for compliance with the applicable Codes (e.g., NFPA 101)) of an LED fixture powered from the emergency source of power in emergency-mode supplying up to 5 amps continuous for the duration of the emergency source of power.
- Extended Operating Temperature Range (-20 to 65 °C) for use in temperature demanding environments.
- Increased Energy Savings: Allows elimination of the need for “always on” fixtures.
- Allows Local Lighting Control systems such as PoE to be fully operational, independent, and separate from the emergency lighting system.
- Enables the emergency lighting powered from the AC emergency source of power to be independent and separate from the POE lighting system, or other low voltage DC lighting system.
- Eliminates the need for additional dimming relays or ALCRs.
- Includes AC line surge protection up to 3 kv for robust and reliable operation.
- Galvanized steel case for durable and safe electrical use, and suitable for plenum spaces.
- Universal Input: 120-277 Vac, 50/60 Hz.
- RoHS compliant
- Warranty: 5 Years TC ≤ 60 °C, 3 Years TC ≤ 66 °C

For questions or to place an order contact us at oemsales@aceleds.com or 800-375-6355 or your local WPG Americas Sales representative at inquiry@wpgamericas.com or 888-WPG8881

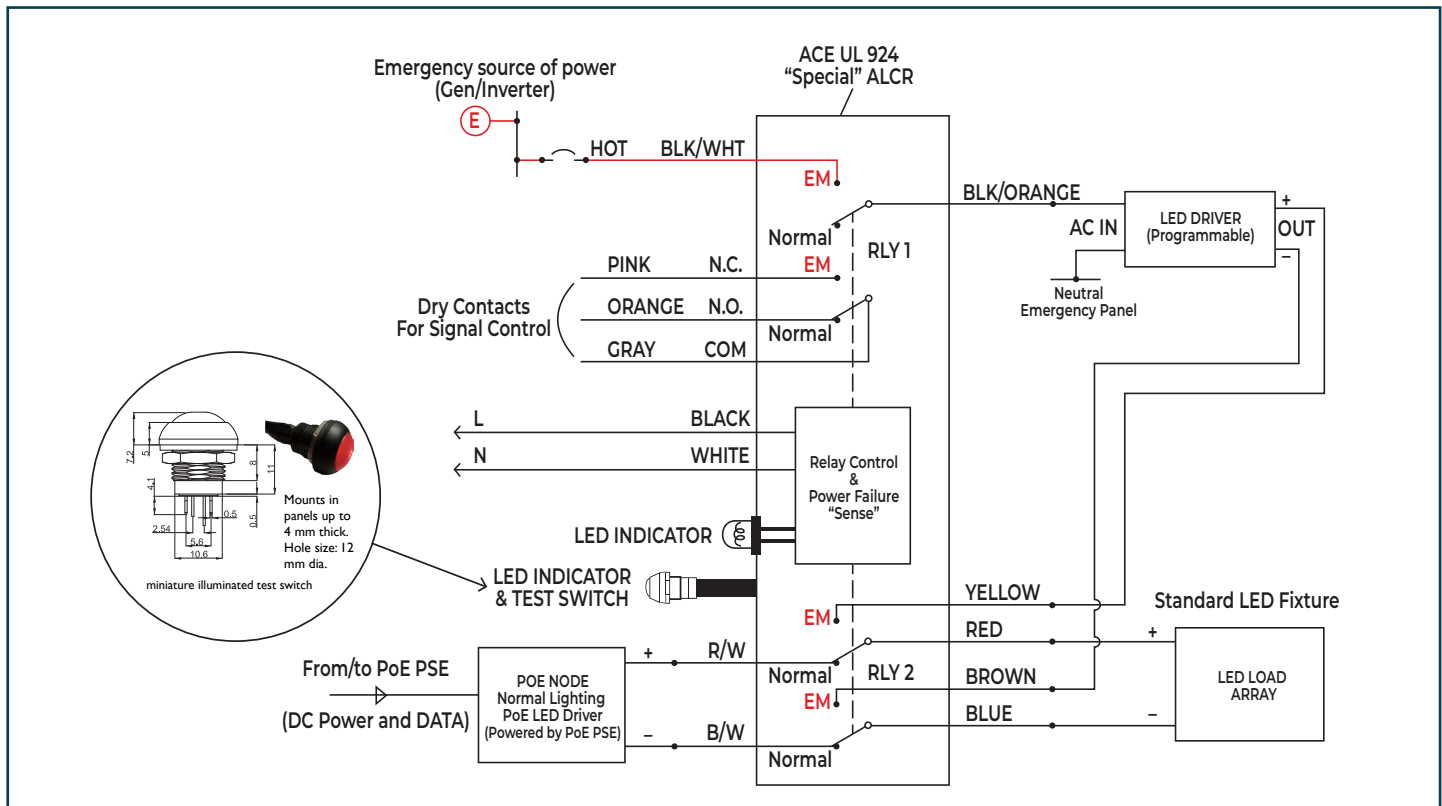


Lead Lengths					
Black/White	19.7"	White	19.7"	Red	19.7"
Pink	19.7"	Red/White	19.7"	Yellow	19.7"
Orange	19.7"	Blue/White	19.7"	Black/Orange	19.7"
Gray	19.7"	Blue	19.7"		
Black	19.7"	Brown	19.7"		

Dimensions / Weight			
Length	5.24"	Height	1.18"
Width	2.48"	Mounting Length	4.84"
Weight	1.32 lb		

Maximum wiring distance for the LED load is 18 ft. using 18 AWG wire.

Wire Diagram:



For questions or to place an order contact us at oemsales@aceleds.com or 800-375-6355 or your local WPG Americas Sales representative at inquiry@wpgamericas.com or 888-WPG8881