

## ACE-J20-55-380C Emergency LED Driver



### Primary Specifications: Uses an external 48 Vdc power source<sup>1</sup>

Output Power Max	Output Voltage	Output Current	Operating Duration Time	External Battery Voltage	IP Rating	Input Power	Input Current (mA)
20 W	15-55 V	380 mA	According to external battery capacity	48 V	30	0.6 W	30 mA



### Description:

This AC Electronics UL Listed Emergency LED Driver allows a single fixture to be used for both normal and emergency (loss of power) operations. If power fails, this emergency driver switches to "Emergency Mode". It will then operate the LED modules at an output voltage in the range of 15-55 V. It can be used in conjunction with switched and unswitched fixture application.

During Emergency operation, this driver will drive any LED module that is designed to accept a constant current input of 190mA and has an input voltage in the range of 15-55 VDC.

### Product Features:

- At least 90 minute operation in emergency mode<sup>2</sup>
- Wide range input voltage - range - 120-277VAC
- Test switch and AC Power-On LED indicator for manual test
- Operating Temperature Range 0°C Through 55°C
- Up to 71% Efficiency
- Surge Protection - 3kV
- Open/Short/Over-Voltage/Over Temperature protection
- Weight: 1.21 lb.

### Applications:

- New and existing fixtures
- For use with external 48 Vdc power source
- Emergency only fixtures
- Use with class 2 LED normal/emergency luminaries

**Note:** 1 An external 48 Vdc power source with a minimum capacity of 43 Wh (900 mAh) is recommended.

**Note:** 2 The emergency-mode operating time is limited by the external 48 Vdc power source capacity.

### Safety:

- UL and cUL Listed as an emergency LED driver (UL 924)
- UL/cUL Class 2
- UL listed for field or factory installation
- Self-sensing output voltage adjusts to various LED loads
- Maximum Case Temperature 66°C
- Warranty: 5 years based on a max. case temp. of ≤60°C\*
- AC Driver maximum output current = 3.0 Amps @ 55 VDC

### Product Benefits:

- Two-wire universal AC voltage input
- Maintains constant emergency light levels. No power/light degradation throughout the 90-minute runtime.
- Can be used with existing or new fixtures.
- CEC Title 20 Compliant

## 5-Year USA-Backed Warranty\*

See complete AC Warranty information for details

For questions or to place an order contact us at [oemsales@aceleds.com](mailto:oemsales@aceleds.com) or 800-375-6355  
or your local WPG Americas Sales representative at [inquiry@wpgamericas.com](mailto:inquiry@wpgamericas.com) or 888-WPG8881

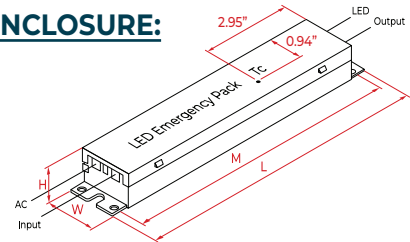
## Lead Lengths

Black	5.9"	Blue	5.9"	Brown	5.9"
White	5.9"	Red	5.9"	Test Switch/ LED Indicator	7.08"/ 23.62"
Yellow/Black	5.9"	Yellow	5.9"		
Purple	7.1"	Pink	7.1"		

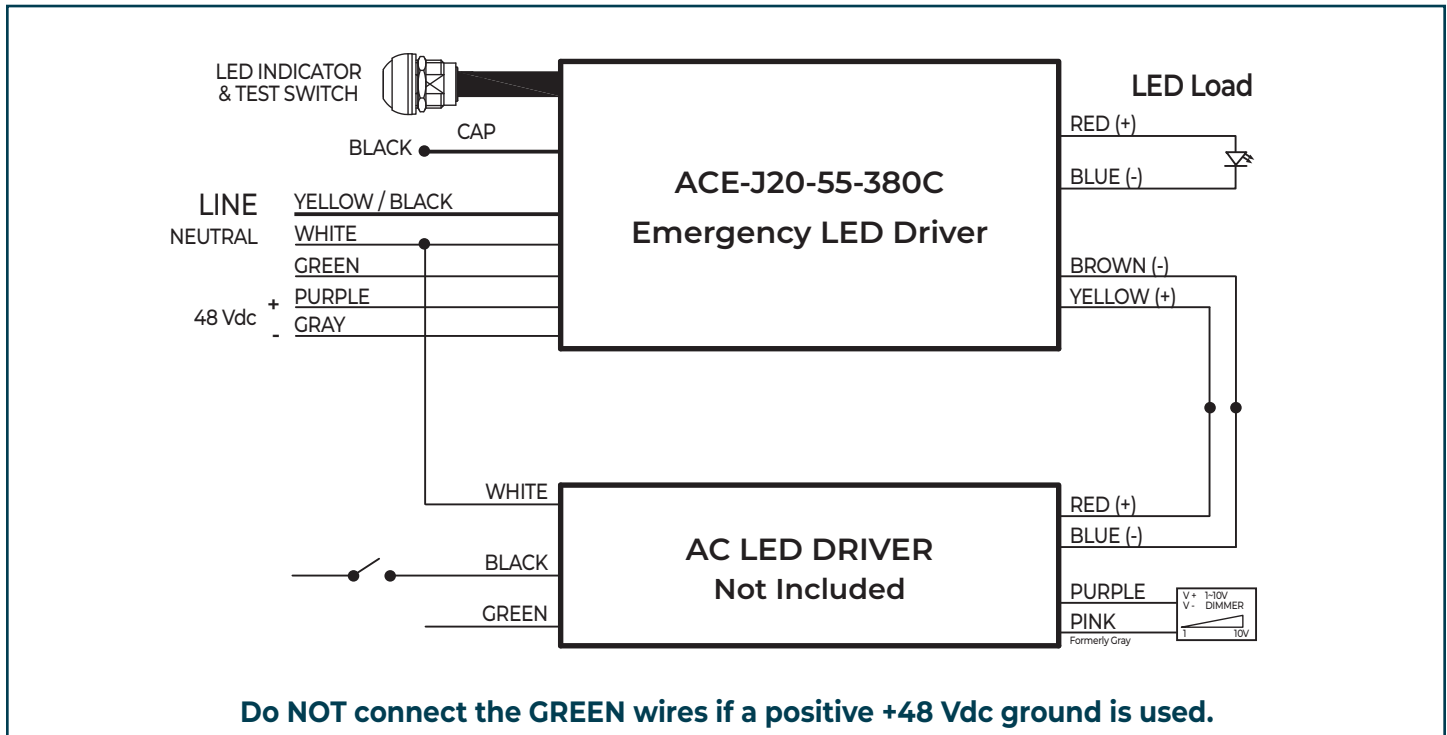
## Dimensions- dc-dc converter

Length	9.5"	Height	1.14"
Width	1.7"	Mounting Length	8.9"
Weight	1.21 lb		

## ENCLOSURE:



## WIRING:



If a delay is needed for the AC LED DRIVER when transferring back from emergency-mode to normal-mode when normal power is restored, then connect the BLACK wire from the AC LED DRIVER to the BLACK wire of the Emergency LED Driver directly or through the WALL SWITCH if used.

\*AC Electronics/AC LED Power Designs warrants to the purchaser that each EMB Driver will be free from defects in material or workmanship for a period of 5 years when operated at max case temp of up to <60°C when properly installed and under normal conditions of use. See [aceleds.com](http://aceleds.com) for complete warranty policy.

For questions or to place an order contact us at [oemsales@aceleds.com](mailto:oemsales@aceleds.com) or 800-375-6355 or your local WPG Americas Sales representative at [inquiry@wpgamericas.com](mailto:inquiry@wpgamericas.com) or 888-WPG8881