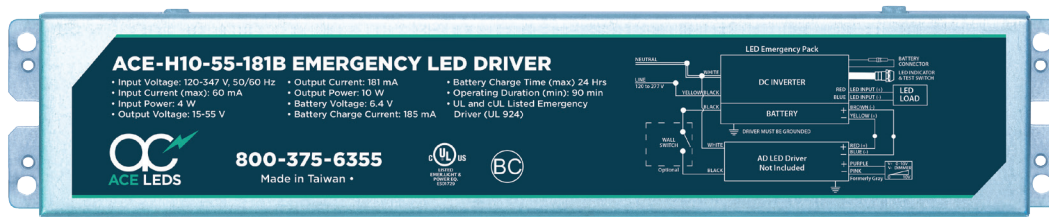


ACE-H10-55-181B Emergency LED Driver



Emergency Power: Battery Type/Model No.: LiFePO₄ 6.4 VDC with 3300 mAh

Output Power Max	Input Power	Input Current Max	Operating Duration Min.	Battery Charge Time Max	Output Voltage	Output Current	Battery Voltage	IP Rating	Battery Charge Current	Battery Type
20 W	5 W	70 mA	90 min.	48 Hrs	15-55 V	380 mA	9.6 V	30	210 mA	LiFePO ₄



Description:

This AC Electronics UL Listed Emergency Backup Driver allows a single fixture to be used for both regular and emergency (loss of power) operations. If power fails, this emergency driver switches to "Emergency Mode". It will then operate the LED modules for 90 minutes at an output voltage in the range of 15-55 V. It can be used in conjunction with switched and unswitched fixture applications.

During Emergency operation, this driver will drive any LED module that is designed to accept a current input of 181mA and has an input voltage in the range of 15-55 VDC.

Note: Average output current is 181mA and Max output current is 190mA.

Product Features:

- At least 90 minute operation in emergency mode
- Wide range input voltage - range - 120 - 347 VAC
- Test switch and AC Power-On LED indicator for manual test
- Operating Temperature Range 0°C Through 55°C
- Up to 76% Efficiency
- Surge Protection - 3 Kv
- Open/Short/Over-Voltage/Over Temperature protection
- Weight: 2.20 lb.

Product Benefits:

- Title 24 compatible
- Maintains constant emergency light levels. No power/light degradation throughout the 90-minute runtime.
- With metal conduit for mounting outside of fixture
- LiFePO₄ batteries have a life span up to 10 times longer than that of traditional lead acid batteries. They also operate with much lower resistance and consequently recharge at a faster rate.
- CEC Title 20 Compliant

Safety:

- UL and cUL Listed as an LED emergency driver (UL 924)
- UL/cUL Class 2
- UL Classified Field or Factory Installation
- Two-wire universal AC Input
- Self-sensing output voltage adjusts to various LED loads
- Includes battery status indicator
- Long life high temperature LiFePO₄ battery
- Maximum Case Temperature 66°C @ 3-year warranty
- Warranty: 5 years based on a max. case temp. of ≤60°C*
- AC Driver maximum output current = 5.0 Amps

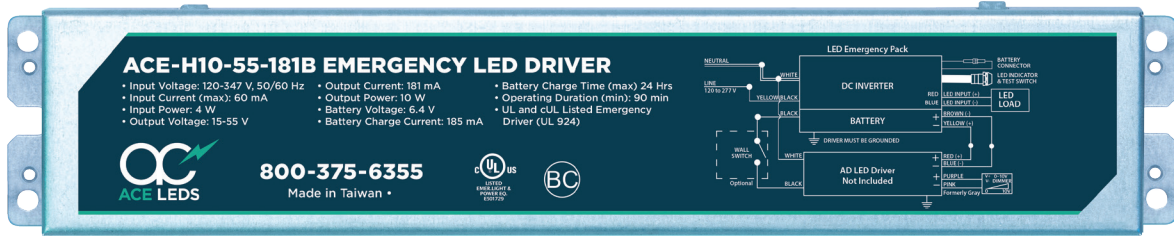
Applications:

- New and existing fixtures
- Emergency back-up installations
- Emergency only fixtures
- With constant current Class 2 LED driver

5-Year USA-Backed Warranty*
See complete AC Warranty information for details

For questions or to place an order contact us at oemsales@aceleds.com or 800-375-6355
or your local WPG Americas Sales representative at inquiry@wpgamericas.com or 888-WPG8881

ENCLOSURE:



Lead Lengths (Solid Hook-up Wires)					
Black	25.59"	Blue	25.59"	Brown	25.59"
White	25.59"	Red	25.59"	LED Indicator & Test Switch	23.62"/
Yellow/Black	25.59"	Yellow	25.59"	Battery Connector	33.07"

Dimensions / Weight			
Length	9.5"	Height	1.14"
Width	1.7"	Mounting Length	8.9"
Weight	2.20 lb		

INSTALLATION:

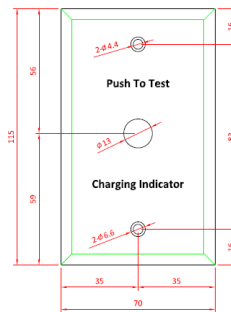
This emergency backup driver may be used with either a switched or unswitched fixture. If a switched fixture is used, an unswitched hot lead must be connected to this emergency backup driver to allow its battery to charge when AC power is available. The emergency backup driver must be fed from the same branch circuit as the AC powered driver (if used). This emergency backup driver should NOT be installed with fixtures where the ambient temperature may fall below 0 °C (32°F).

- Maximum remote mounting distance to LEDs is 18 feet.
- The emergency LED driver case should be grounded.
- 18 AWG 600V/105°C tinned stranded copper lead-wires required for installation.

ACCESSORIES WITH ORDERING NUMBERS:

The ACE-H10-55-181B model can be ordered with plastic or metal wall plates. Please see the ordering numbers below to determine which best meets your requirements.

Wall Plate Dimensions			
Height	4.52"	Indicator to top	2.32"
Width	2.75"	Mounting Length	3.26"



AEMC2WPL1



Plastic

AEMC2WMT2

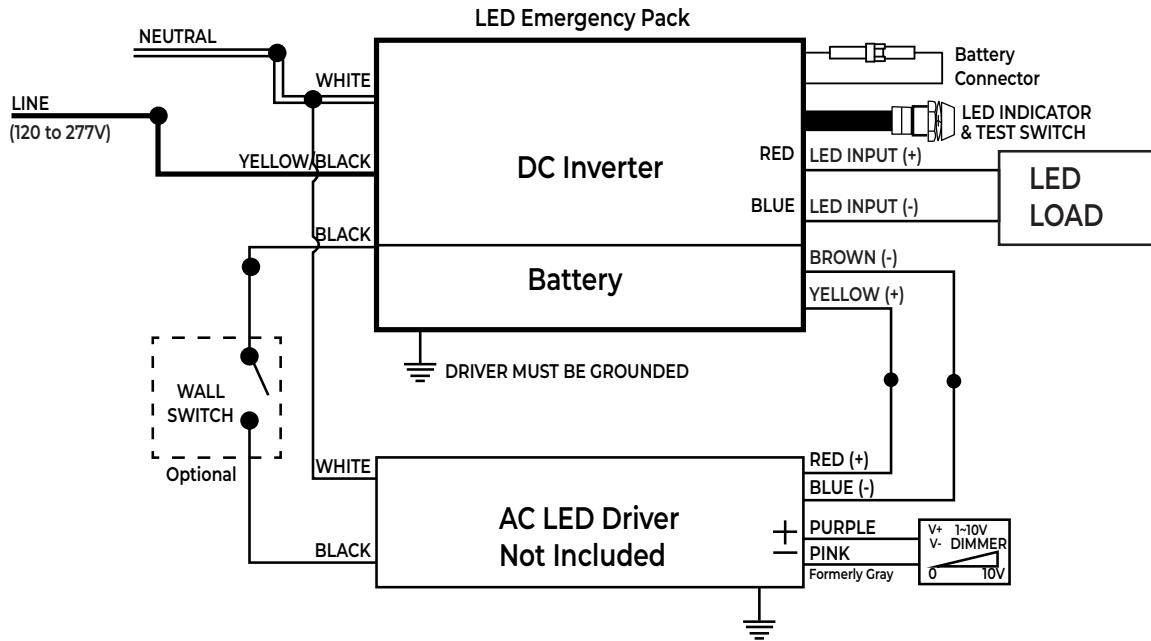


Metal

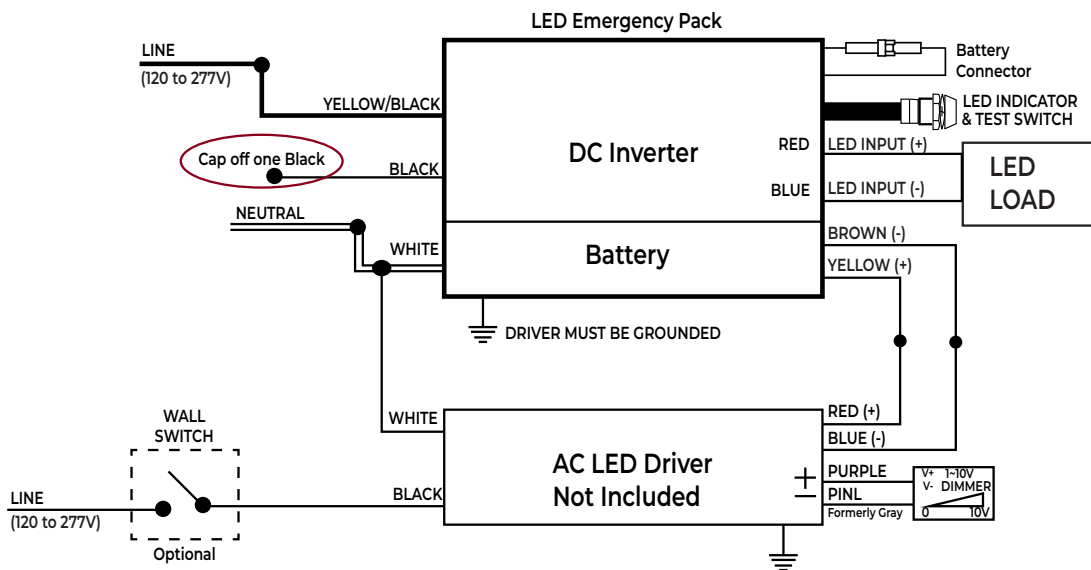
*AC Electronics/AC LED Power Designs warrants to the purchaser that each Emergency LED Driver will be free from defects in material or workmanship for a period of 5 years when operated at max case temp of up to <60°C when properly installed and under normal conditions of use. See aceleds.com for complete warranty policy.

For questions or to place an order contact us at oemsales@aceleds.com or 800-375-6355 or your local WPG Americas Sales representative at inquiry@wpgamericas.com or 888-WPG8881

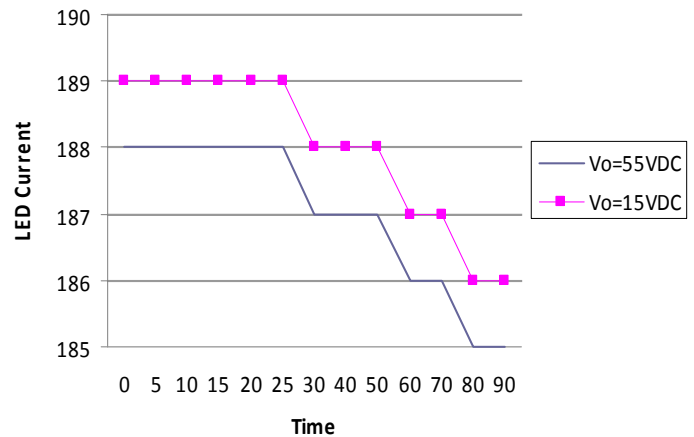
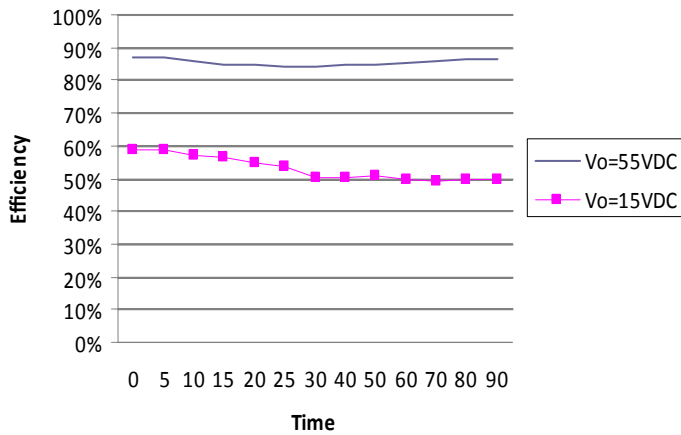
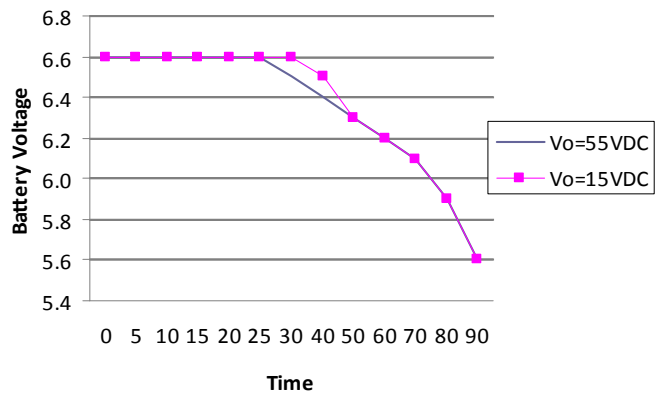
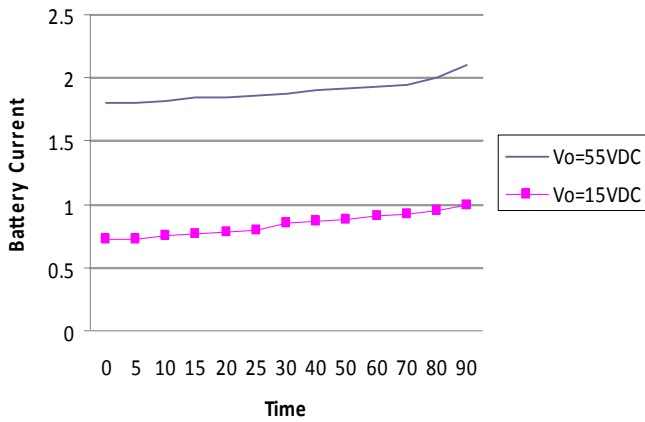
RECOMMENDED (USE IF AN EXTERNAL SWITCHED LINE IS NOT AVAILABLE)



ALTERNATE (USE IF AN EXTERNAL SWITCHED LINE IS AVAILABLE)



For questions or to place an order contact us at omsales@aceleds.com or 800-375-6355 or your local WPG Americas Sales representative at inquiry@wpgamericas.com or 888-WPG8881



For questions or to place an order contact us at oemsales@aceleds.com or 800-375-6355 or your local WPG Americas Sales representative at inquiry@wpgamericas.com or 888-WPG8881