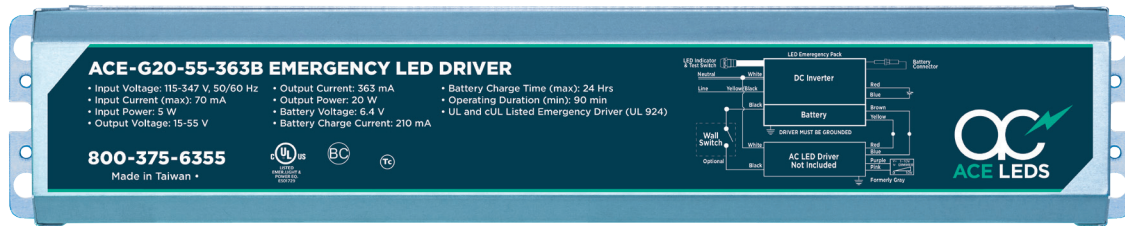


ACE-G20-55-363B Emergency LED Driver



Emergency Power: Battery Type/Model No.: LiFePO₄ 9.6 VDC with 4600 mAh

Output Power Max	Input Power	Input Current Max	Operating Duration Min.	Battery Charge Time Max	Output Voltage	Output Current	Battery Voltage	IP Rating	Battery Charge Current	Battery Type
20 W	5 W	70 mA	90 min.	48 Hrs	15-55 V	363 mA	9.6 V	30	210 mA	LiFePO ₄



Description:

This AC Electronics UL Listed Emergency LED Driver allows a single fixture to be used for both regular and emergency (loss of power) operations. If power fails, this emergency driver switches to "Emergency Mode". It will then operate the LED modules for 90 minutes at an output voltage in the range of 15-55 V. It can be used in conjunction with switched and unswitched fixture applications.

During Emergency operation, this driver will drive any LED module that is designed to accept a constant current input of 190mA and has an input voltage in the range of 15-55 VDC. Note: Average output current is 363mA and Max output current is 380mA.

Product Features:

- At least 90 minute operation in emergency mode
- Wide range input voltage - range - 120-347VAC
- Test switch and AC Power-On LED indicator for manual test
- Operating Temperature Range 0°C Through 55°C
- Maximum Case Temperature 66°C @ 3-year warranty
- Up to 71% Efficiency
- 5-year USA Backed warranty*
- Surge Protection - 3Kv
- Open/Short/Over-Voltage/Over Temperature protection
- Weight: 2.53 lb.

Safety:

- UL and cUL Listed as an LED emergency driver (UL 924)
- UL/cUL Class 2
- UL Classified Field or Factory Installation
- Two-wire universal AC Input
- Self-sensing output voltage adjusts to various LED loads
- Includes battery status indicator
- Long life high temperature LiFePO₄ battery
- Warranty: 5 years based on a max. case temp. of ≤60°C*
- AC Driver maximum output current = 5.0 Amps @ 55 VDC
- Soft-switching to prevent voltage spikes and increase longevity of the LED modules

Product Benefits:

- Title 24 compatible
- Maintains constant emergency light levels. No power/light degradation throughout the 90-minute runtime.
- Can be used with existing or new fixtures.
- LiFePO₄ batteries have a life span up to 10 times longer than that of traditional lead acid batteries. They also operate with much lower resistance and consequently recharge at a faster rate.
- CEC title 20 compliant

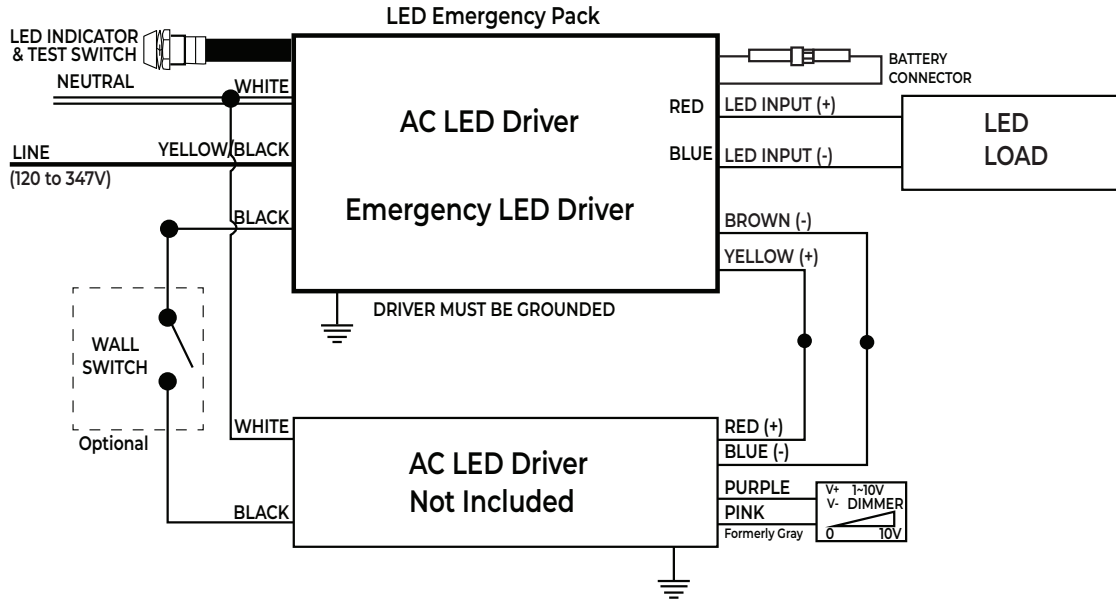
Applications:

- New and existing fixtures
- Emergency back-up installations
- Emergency only fixtures
- With constant current Class 2 LED driver

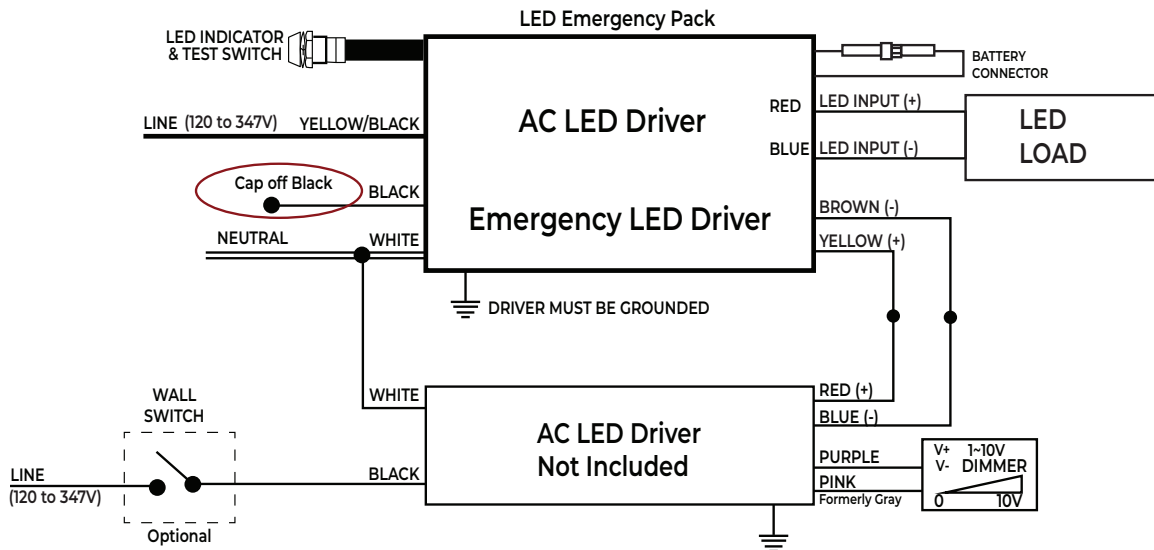
5-Year USA-Backed Warranty*
See complete AC Warranty information for details

For questions or to place an order contact us at oemsales@aceleds.com or 800-375-6355
or your local WPG Americas Sales representative at inquiry@wpgamericas.com or 888-WPG8881

RECOMMENDED

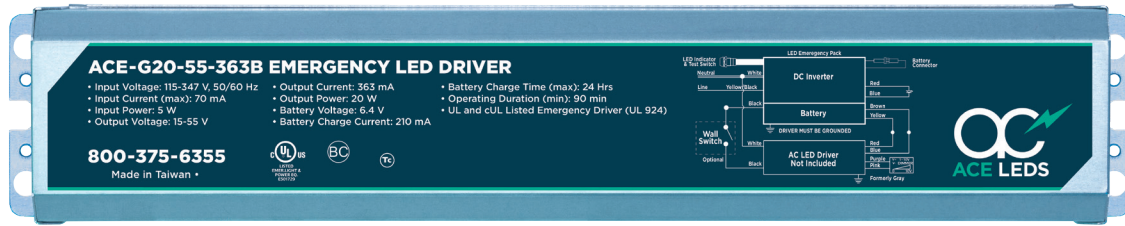


ALTERNATE



For questions or to place an order contact us at oemsales@aceleds.com or 800-375-6355 or your local WPG Americas Sales representative at inquiry@wpgamericas.com or 888-WPG8881

ENCLOSURE:



Lead Lengths (Solid Hook-up Wires)					
Black	5.9"	Blue	25.98"	Brown	32.28"
White	22.04"	Red	25.98"	LED Indicator	25.0"/
Yellow/Black	19.29"	Yellow	32.28"	& Test Switch	6.0"
				Battery Connector	33.07"

Dimensions / Weight			
Length	13.3"	Height	1.49"
Width	2.44"	Mounting Length	12.68"
Weight	2.53 lb		

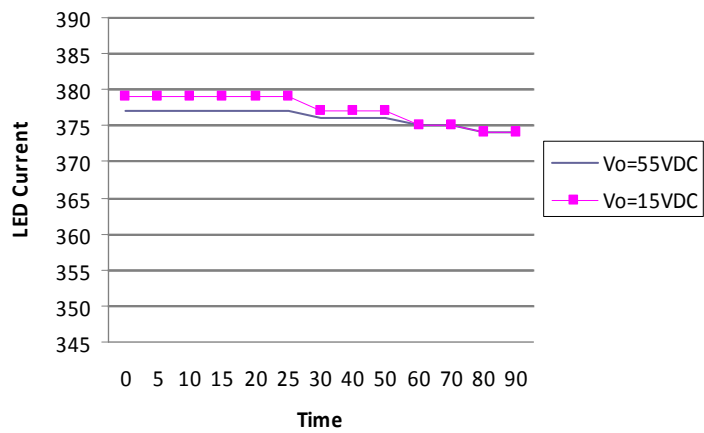
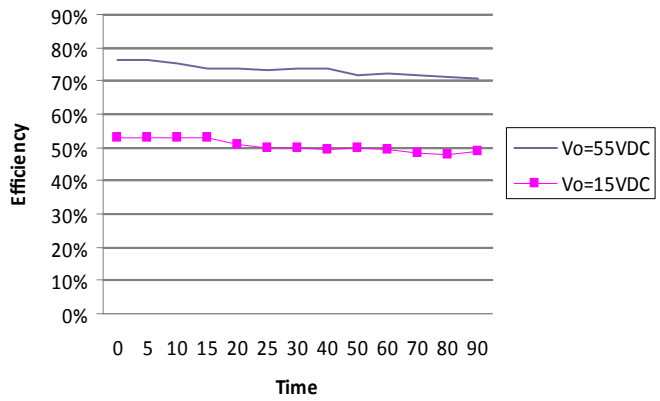
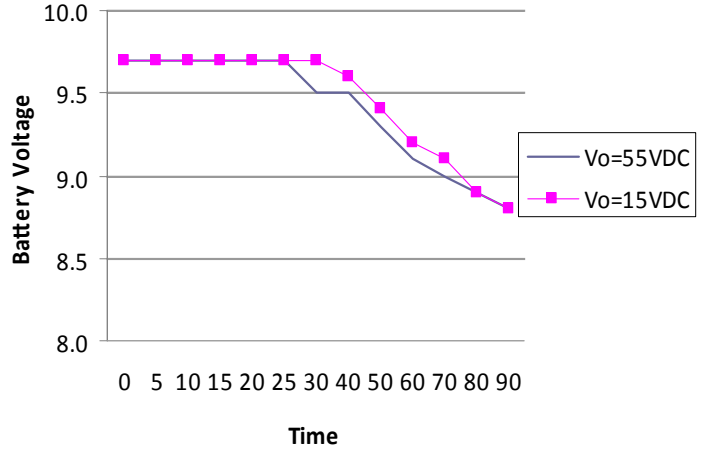
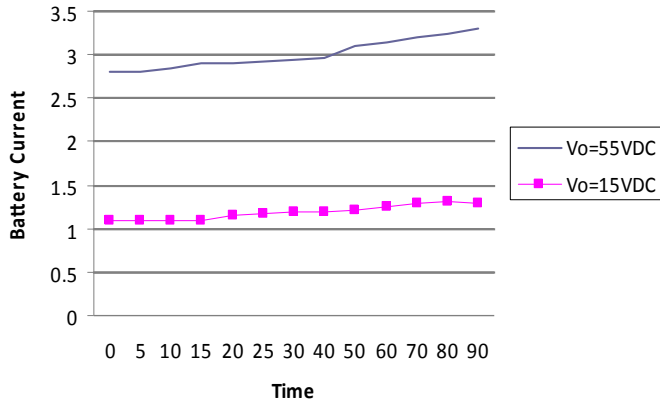
INSTALLATION:

This emergency LED driver may be used with either a switched or unswitched fixture. If a switched fixture is used, an unswitched hot lead must be connected to this emergency LED driver to allow its battery to charge when AC power is available. The emergency LED driver must be fed from the same branch circuit as the AC powered driver (if used). This emergency LED driver should NOT be installed with fixtures where the ambient temperature may fall below 0 °C (32°F).

- Maximum remote mounting distance to LEDs is 18 feet.
- The emergency LED driver case should be grounded.
- 18 AWG 600V/105°C tinned stranded copper lead-wires required for installation.
- The emergency LED driver shall be installed inside an electrical enclosure.

***AC Electronics/AC LED Power Designs warrants to the purchaser that each Emergency LED Driver will be free from defects in material or workmanship for a period of 5 years when operated at max case temp of up to <60°C when properly installed and under normal conditions of use. See aceleds.com for complete warranty policy.**

For questions or to place an order contact us at oemsales@aceleds.com or 800-375-6355 or your local WPG Americas Sales representative at inquiry@wpgamericas.com or 888-WPG8881



For questions or to place an order contact us at oemsales@aceleds.com or 800-375-6355 or your local WPG Americas Sales representative at inquiry@wpgamericas.com or 888-WPG8881