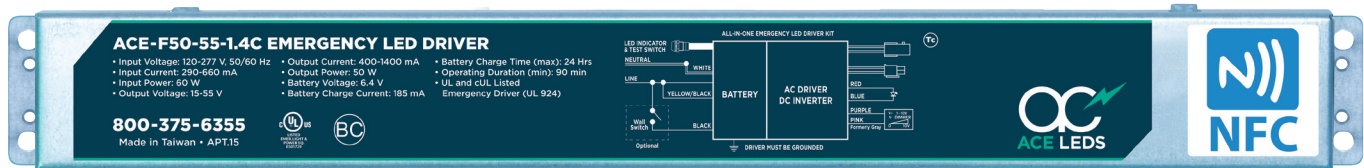


ACE-F50-55-1.4C Emergency LED Driver



Emergency Power: Battery Type/Model No.: LiFePO₄ 6.4 VDC with 3300 mA

Output Power Constant	Operating Duration Min.	Battery Charge Current	Battery Charge Time Max.	Battery Voltage	Output Voltage	Output Current Max
10 W	90 min.	185 mA	24 Hrs	6.4 V	15-55 V	190 mA



Description:

This AC Electronics UL Listed Emergency Driver allows a single fixture to be used for both regular and emergency (loss of power) operations. If power fails, this emergency driver switches to "Emergency Mode". It will then operate the LED modules for 90 minutes at an output voltage in the range of 15-55 V. It can be used in conjunction with switched and

unswitched fixture applications. During Emergency operation, this driver will drive any LED module that is designed to accept a constant current input of 190mA and has an input voltage in the range of 15-55 VDC.

Product Features:

- At least 90 minute operation in emergency mode
- Wide range input voltage - range - 120-277 VAC
- Test switch and AC Power-On LED indicator for manual test
- Operating Temperature Range 0°C Through 55°C
- Maximum Case Temperature ≤66°C @ 3-year warranty
- Up to 71% Efficiency
- 5-year USA Backed warranty*
- Surge Protection - 3kV
- Open/Short/Over-Voltage/Over Temperature protection

Safety:

- UL and cUL Listed as an LED emergency driver (UL 924)
- UL/cUL Class 2
- UL Classified Field or Factory Installation
- Two-wire universal AC Input
- Self-sensing output voltage adjusts to various LED loads
- Includes battery status indicator
- Long life high temperature LiFePO₄ battery
- Warranty: 5 years based on a max. case temp. of ≤60°C*
- AC Driver maximum output current = 5.0 Amps @ 55 VDC
- Soft-switching to prevent spikes and protect the longevity of LED modules
- IP Rating: 65

Product Benefits:

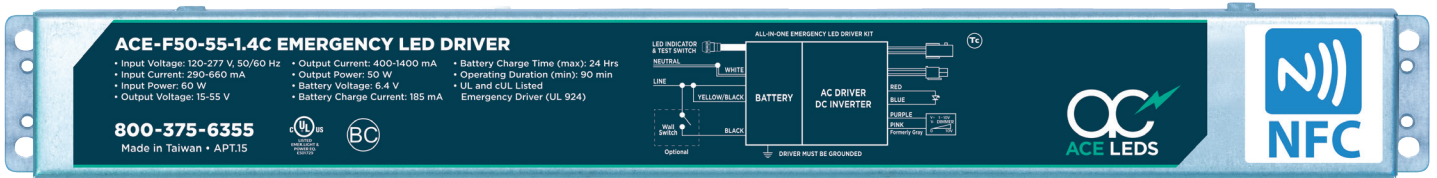
- UL and cUL Listed as an LED emergency driver (UL 924)
- UL/cUL Class 2
- UL Classified Field or Factory Installation
- Two-wire universal AC Input
- Self-sensing output voltage adjusts to various LED loads
- Includes battery status indicator
- Long life high temperature LiFePO₄ battery
- Warranty: 5 years based on a max. case temp. of ≤60°C*
- AC Driver maximum output current = 5.0 Amps @ 55 VDC
- Soft-switching to prevent spikes and protect the longevity of LED modules
- IP Rating: 65

Applications:

- New and existing fixtures
- Emergency back-up installations
- Emergency only fixtures

5-Year USA-Backed Warranty*
See complete AC Warranty information for details

For questions or to place an order contact us at oemsales@aceleds.com or 800-375-6355 or your local WPG Americas Sales representative at inquiry@wpgamericas.com or 888-WPG8881



Emergency Specifications: Programmable, Digital, Wide-Range Adjustable Current & Dimming

Output Power Max.	Input Power	Input Current	Min PF (Full Load)	Max THD (Full Load)	Output Voltage	Output Current	T case Max.	Min Starting Temp.	Efficiency Up To	Dimming Protocol	Dimming Range
50 W	60 W	0.05 A @ 120 V 0.22 A @ 277 V	≤0.90	≤20	15-55 V	400 mA - 1400 mA +/- 5%	66° C	0° C	82%	0-10 V	1-100%

Lead Lengths (Solid Hook-up Wires)					
Black	14"	Blue	14"	Pink	15.2"
White	14"	Red	14"	LED Indicator	30.7"/
Yellow/Black	14"	Purple	15.2"	& Test Switch	
Battery Connector	1.58"/6.7"				

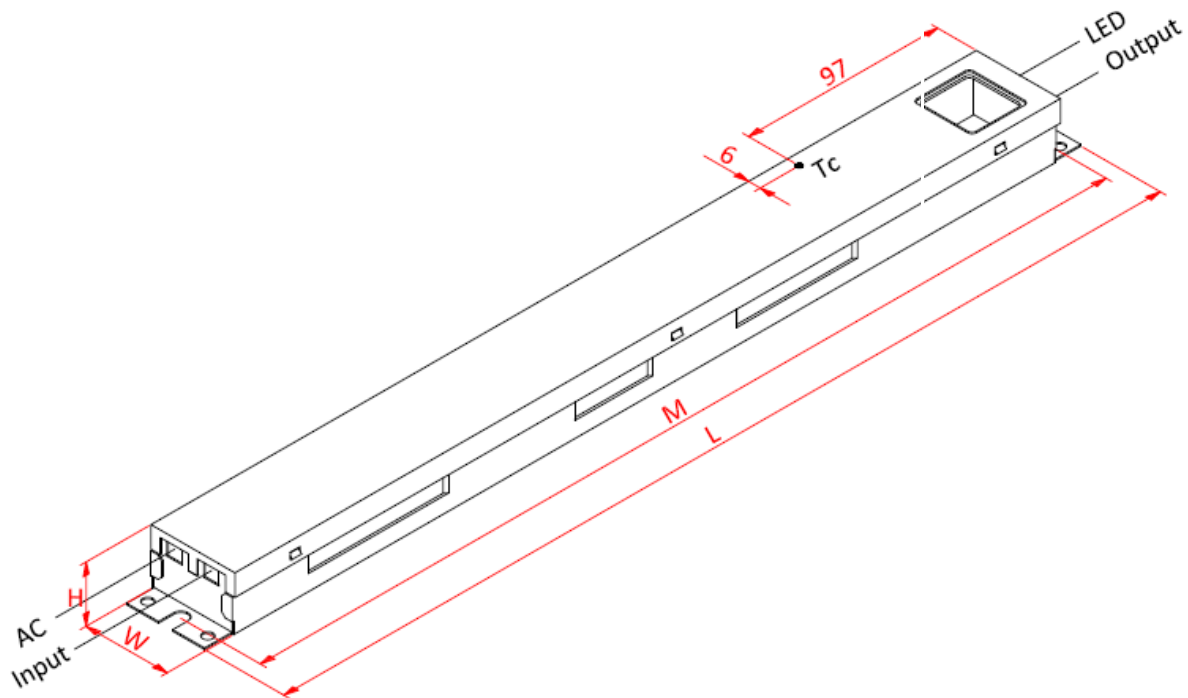
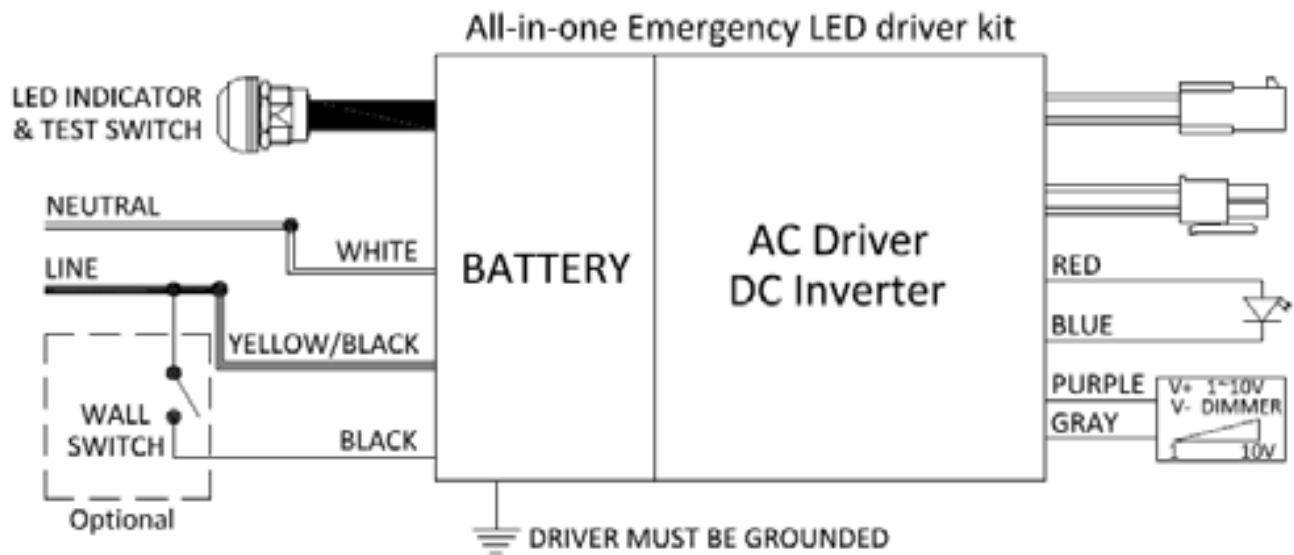
Dimensions			
Length	17.71"	Height	1.14"
Width	1.69"	Mounting Length	17.24"

INSTALLATION:

This emergency backup driver may be used with either a switched or unswitched fixture. If a switched fixture is used, an unswitched hot lead must be connected to this emergency backup driver to allow its battery to charge when AC power is available. The emergency backup driver must be fed from the same branch circuit as the AC powered driver (if used). This emergency backup driver should NOT be installed with fixtures where the ambient temperature may fall below 0 °C (32°F).

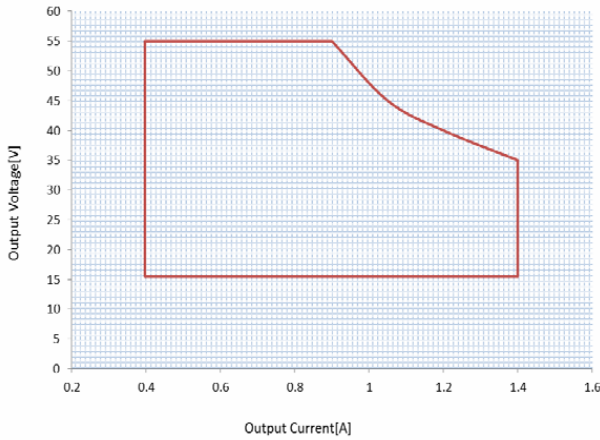
- Maximum remote mounting distance to LEDs is 18 feet.
- The emergency backup driver case should be grounded.
- 18 AWG 600V/105°C tinned stranded copper lead-wires required for installation.
- The emergency backup driver shall be installed inside an electrical enclosure.

For questions or to place an order contact us at oemsales@aceleds.com or 800-375-6355 or your local WPG Americas Sales representative at inquiry@wpgamericas.com or 888-WPG8881

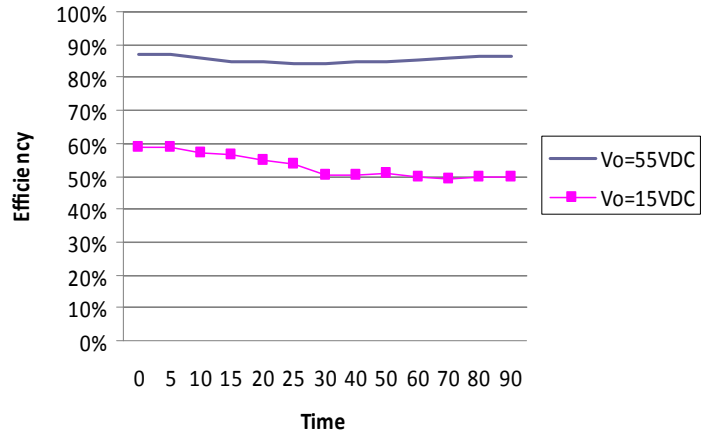
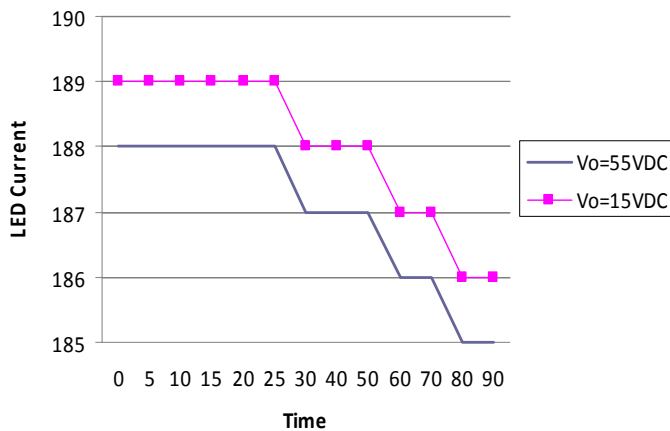
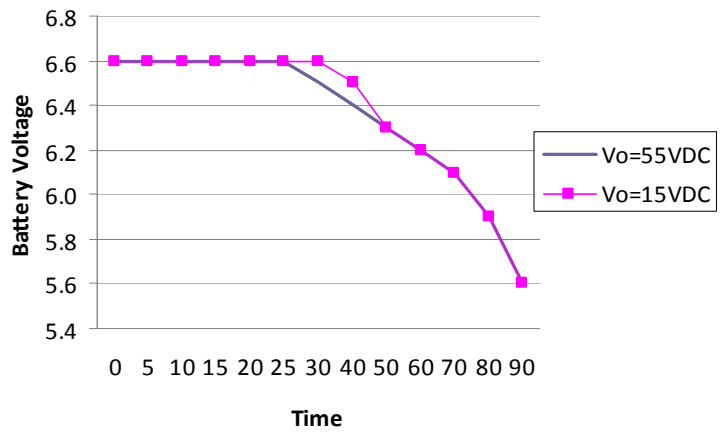
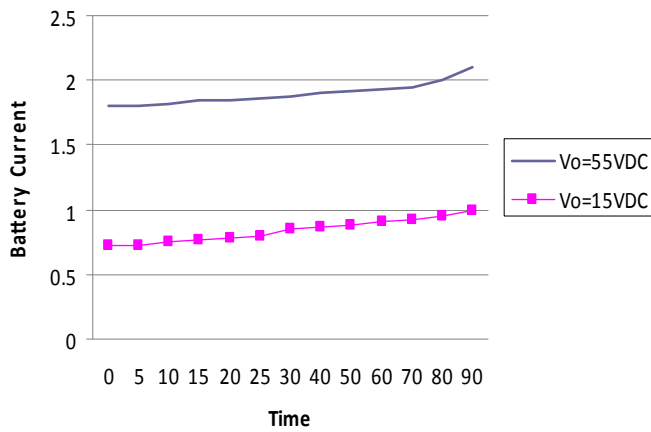
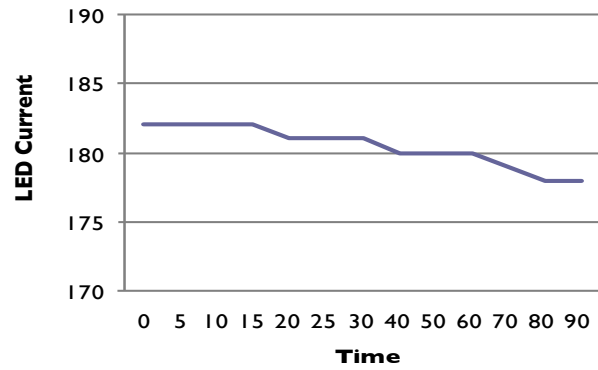


*AC Electronics/AC LED Power Designs warrants to the purchaser that each Emergency LED Driver will be free from defects in material or workmanship for a period of 5 years when operated at max case temp of up to -60°C when properly installed and under normal conditions of use. See aceleds.com for complete warranty policy.

For questions or to place an order contact us at oemsales@aceleds.com or 800-375-6355 or your local WPG Americas Sales representative at inquiry@wpgamericas.com or 888-WPG8881



LED Constant vs. Time



*AC Electronics/AC LED Power Designs warrants to the purchaser that each Emergency LED Driver will be free from defects in material or workmanship for a period of 5 years when operated at max case temp of up to 60°C when properly installed and under normal conditions of use. See aceleds.com for complete warranty policy.

For questions or to place an order contact us at oemsales@aceleds.com or 800-375-6355 or your local WPG Americas Sales representative at inquiry@wpgamericas.com or 888-WPG8881