

Constant Current LED Driver

Model Number:
AC84CD2.1APB3M

Input Voltage: 120-277V
Input Frequency: 50/60Hz
Bottom Mount/Leads Options



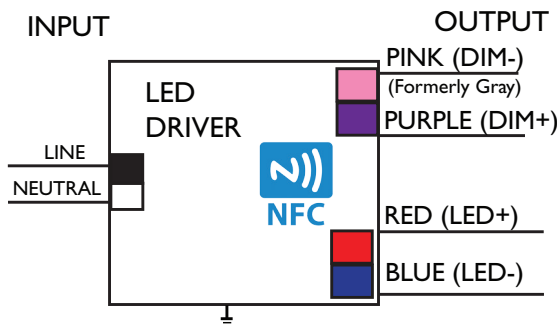
**Programmable, Digital,
Wide-Range Adjustable Current & Dimming**

Electrical Specifications:

Output Power	Input Power	Input Current	Min PF (full load)	Max THD (full load)	Output Voltage	Output Current	T case Max	Min, Starting Temp**	Efficiency Up To	IP Rating	Dimming Protocol	Dimming Range
84 W	93 W	0.94 A @ 120 V, 0.41 A @ 277 V	>0.90	<20	24-40 V	1050 mA - 2100 mA	90 °C	-40 °C	88%	30	0-10 V	10-100%

** This driver can operate down to -40 °C in a non-dimming condition. Below 0 °C some flicker may be observed.

WIRING:



Note: Gray (-) dimming wire has been changed to pink per the 2020 NEC section 410.69 and NEMA.

PHYSICAL:



Dimensions	Length	Width	Height	Mounting
AC84CD2.1APB3M	9.5"	2.4"	1.46"	8.9"

Lead Lengths	Black	Blue	Purple	White
5.9"	5.9"	5.9"	5.9"	5.9"

SAFETY:

- UL and cUL Recognized
- UL Outdoor Type 1
- Class A sound rating
- Overload Protection
- Open/Short Circuit Protection
- LED driver has a life expectancy of 50,000 hours at Tcase of ≤75°C
- LED driver has a life expectancy of 100,000 hours at Tcase of ≤65°C
- Warranty: 5 yrs based on max case temp of <75°C; 3 yrs based on max case temp of 90°C*
- Input/Output Isolation
- FCC Title 47 CFR Part 15
- Surge Protection (2 KV)
- Gray (-) dimming wire has been changed to pink per the 2020 NEC section 410.69 and NEMA.**

INSTALLATION:

- Max Remote installation distance is 18 ft
- LED driver cases should be grounded
- LED drivers shall be installed inside electrical enclosures
- 18 AWG 600V/105C tinned stranded copper lead-wires are required for installation



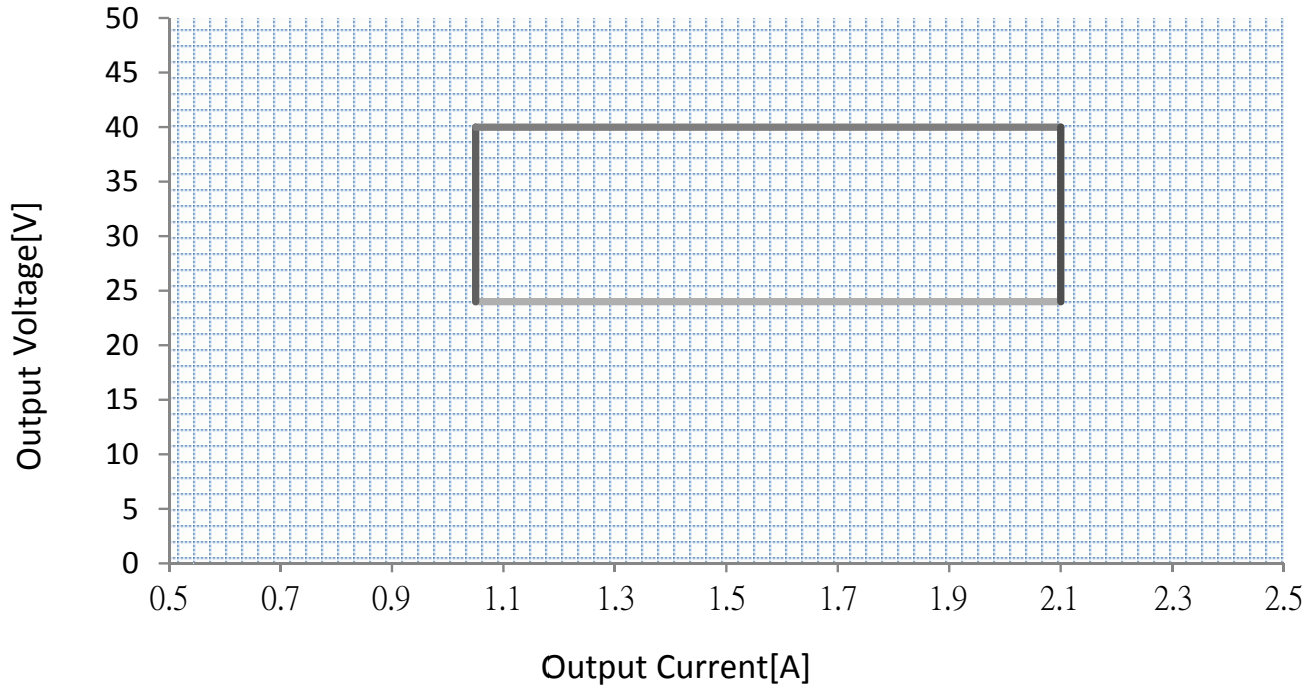
*AC Electronics/AC LED Power Designs warrants to the purchaser that each LED Driver will be free from defects in material or workmanship for a period of 5 years when operated at max case temp of up to <75°C; 3 years from date of manufacture when operated at a max case temp of up to 90°C when properly installed and under normal conditions of use. See aceleds.com for complete warranty policy.



For questions or to place an order contact us at oemsales@aceleds.com or 800-375-6355 or your local WPG American Sales representative at inquiry@wpgamericas.com or 888-WPG8881

IOUT/VOUT CURVE

Use with [NFC-V Reader App](#) Available Free at Google App Store



CONTROL THE IOUT WITH THE PROGRAMMING WAND. DOWNLOAD SOFTWARE FROM <http://www.aceleds.com/programmable.php>

For questions or to place an order contact us at omsales@aceleds.com or 800-375-6355 or your local WPG American Sales representative at inquiry@wpgamericas.com or 888-WPG8881