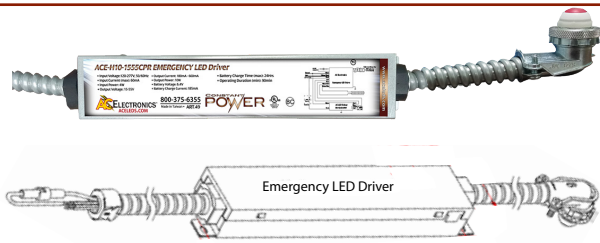
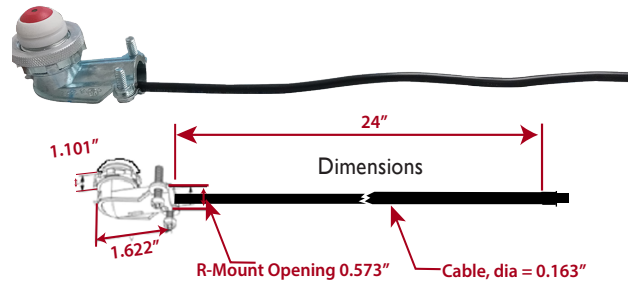


### OPTIONS & ACCESSORIES for Emergency LED Drivers



**R-Mount Conduit Models:** LED Indicator and Test Switch mounted in an FMC 90 degree terminating connector with flex conduit. Includes 90-degree elbow connector for reflector mounting of the test switch.

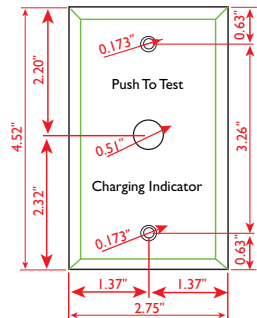
Model Number	Description and Order Information
R = R-Mount With Conduit	You can order this Option by just asking for the model number and adding (R)
Example	ACE-H10-1555CPR



**R-Mount Cable Option:** LED Indicator and Test Switch mounted in an FMC 90 degree terminating connector with cable and miniature cable connector.

Model Number	Description and Order Information
C = R-Mount with Cable	You can order this Option by just asking for the model number and adding (C)
Example	ACE-G10-1555CPC

Wall Plate dimensions in inches



#### Wall Plate Accessory

AEMC2WPL1

AEMC2WMT2

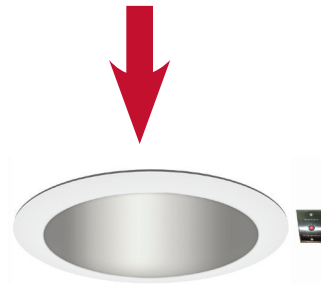


Plastic



Metal

#### APPLICATION



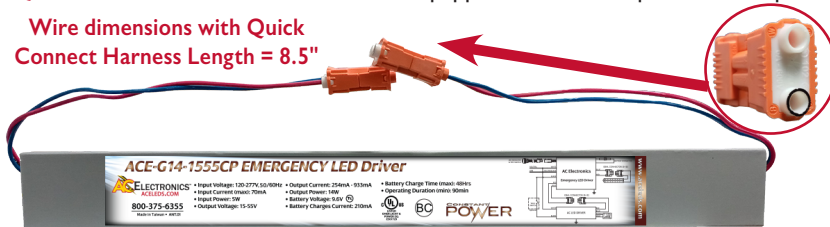
WHITE TEST SWITCH



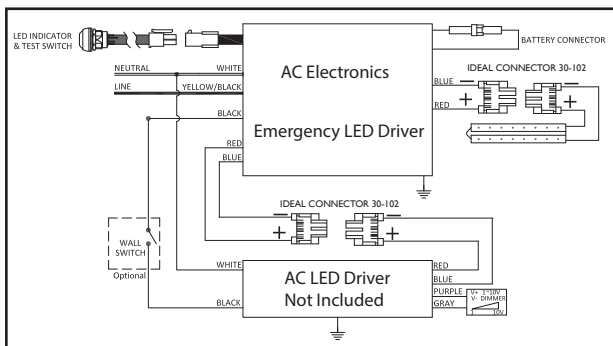
Model Number AEMITSWW1

**Quick connect harness Models:** Equipped with IDEAL quick connect push-in wire connectors.

Wire dimensions with Quick Connect Harness Length = 8.5"



Wire	Wire Gage
SOLID	12 - 18 AWG
STRANDED	12 - 14 AWG (≤19 STRAND)
TIN BONDED	12 AWG (≤19 STRAND) 14 AWG (≤19 STRAND) 16 AWG (≤26 STRAND) 18 AWG (≤16 STRAND)



The IDEAL quick connect push-in wire connectors are the industry standard for luminaire connectors providing high quality quick connections, saving time, increasing productivity, and reduces errors.

Model Number	Description and Order Information
Q = Quick Connect	You can order this Option by just asking for the model number and adding (Q)
Example	ACE-G14-1555CPQ

3401 Avenue D, Arlington, TX 76011 • 800-375-6355 • www.aceleds.com

Data is based upon tests performed by AC Electronics in a controlled environment and representative performance. Actual performance can vary depending on operating conditions. Specifications are subject to change without notice. All specifications are nominal unless otherwise noted.

