

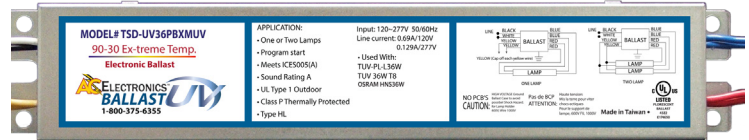


UV Germicidal Program Start Ballast

Lamp Types
TUV-PLL36W • TUV 36WT8
• OSRAM HNS36W

Ballast Type: Electronic
Starting method: Program Start
Lamp connection: Series
Input voltage: 120-277V
Input frequency: 50/60Hz
Mounting: SIDE Mount
Warranty: 5 Years TC ≤75°C
 3 Years 75°C ≤ TC ≤ 90°C

Model # - TSD-UV36PBXMUV



Electrical Specification with Different Lamps

Lamp Type	No. of Lamps	Input Voltage	Rated Lamp Watts	Start Temp Min (F/C)	Input Current (Amps)	Input Power (ANSI Watts)	Lamp Current (Amps)	THD Max. (%)	Power Factor	Lamp Current Crest Factor Max.
TUV PLL 36W	2	120 230 277	36	32/0	0.69 0.35 0.32	83	0.403	10 15 15	0.99 0.98 0.98	1.7
TUV PLL 36W	1	120 230 277	36	32/0	0.36 0.19 0.16	43.15	0.442	10 15 20	0.98 0.97 0.94	1.7
TUV 36WT8	2	120 230 277	36	32/0	0.69 0.35 0.32	83	0.403	10 15 15	0.99 0.98 0.98	1.7
TUV 36WT8	1	120 230 277	36	32/0	0.36 0.19 0.16	43.15	0.442	10 15 20	0.98 0.97 0.94	1.7
OSRAM HNS36W	2	120 230 277	36	32/0	0.69 0.35 0.32	83	0.403	10 15 15	0.99 0.98 0.98	1.7
OSRAM HNS36W	1	120 230 277	36	32/0	0.36 0.19 0.16	43.15	0.442	10 15 20	0.98 0.97 0.94	1.7

INSTALLATION:

- Install in accordance with the National Electrical Code
- Use with 600V rated wire
- Use external ground wire
- Do not connect any lamp lead to neutral
- Mounting side of ballast package must be in complete contact with metallic fixture surface for proper

3401 Avenue D, Arlington, TX 76011 • 800-375-6355 • www.aceleds.com

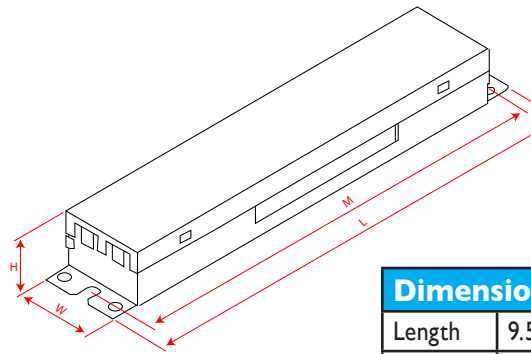
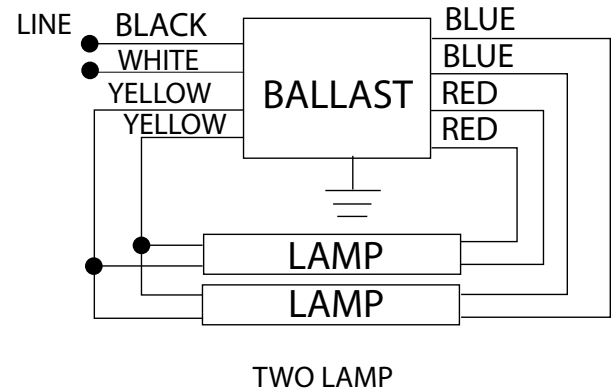
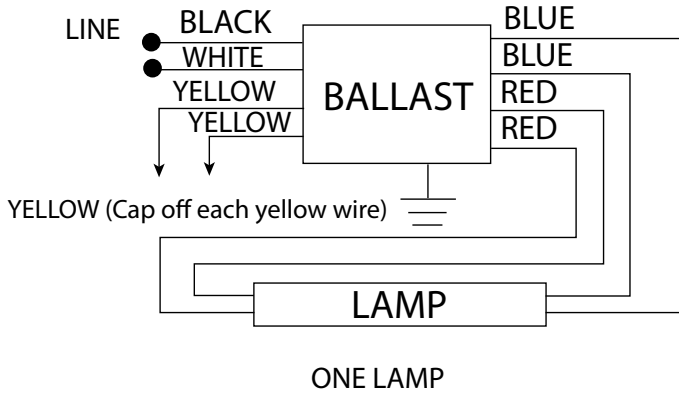
Data is based upon tests performed by AC Electronics in a controlled environment and representative performance. Actual performance can vary depending on operating conditions. Specifications are subject to change without notice. All specifications are nominal unless otherwise noted.



UV Germicidal Program Start Ballast

Lamp Types
TUV-PLL36W • TUV 36WT8
• OSRAM HNS36W

Model # - TSD-UV36PBXMUV



LEAD LENGTHS	
Black	18.8"
White	18.8"
Blue	30.9"
Red	30.9"
Yellow	46.4"

Dimensions			
Length	9.5"	Height	1.14"
Width	1.7"	Mounting Length	8.9"

SAFETY & Performance:

- One or Two lamps
- UL/cUL Listed
- UL Type I Outdoor
- Meets ICES005(A)
- FCC part 18 Class A
- Sound Rated Class A
- Class P Thermally Protected
- High Power Factor
- Surge Protected
- Auto Restart
- No PCBs
- Type HL
- End of Lamp life protection circuit, shuts down automatically and restarts



AC Electronics warrants to the purchaser that each electronic ballast will be free from defects in material or workmanship for a period of 3 years date of manufacture when operated at a max case temp of 90°C; 5 years when operated at a max case temp of <75°C, when properly installed and under normal conditions of use.

3401 Avenue D, Arlington, TX 76011 • 800-375-6355 • www.aceleds.com

Data is based upon tests performed by AC Electronics in a controlled environment and representative performance. Actual performance can vary depending on operating conditions. Specifications are subject to change without notice. All specifications are nominal unless otherwise noted.