

LE80/070020/9xx

DESCRIPTION:

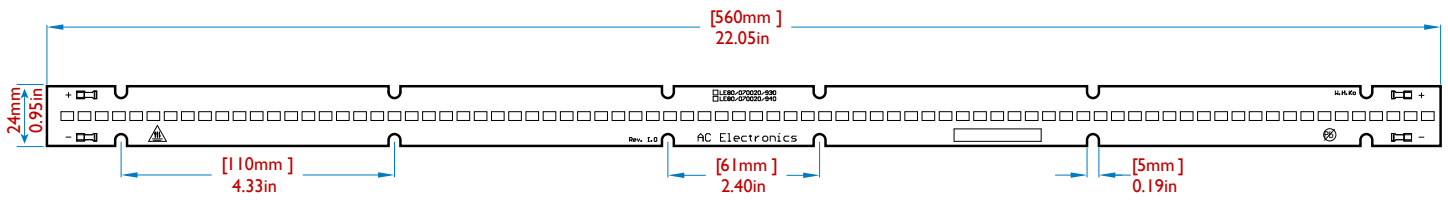
High efficacy constant current linear LED modules, 22" long

MODULE TYPE Linear	COLOR RENDERING INDEX (CRI): 90
MODULE POWER: 20W	RECOMMENDED WIRING: Parallel Connection
DRIVE CURRENT: 700mA	Warranty: 7 Years

PRODUCT FEATURES

- Title 24 Compatible
- For Use in Class 2 Lighting Systems Only
- Low Profile, Push-In Connectors
- Made with UL Recognized Components
- High efficiency up to 138 lm/W @Max Current
- 2835 LED Chip Package
- Reported Life Expectancy: L70>54,000 hours at Tc=85°C | L90 48,000 hours at Tc=85°C
- Calculated Life Expectancy: L70>160,000 hours at Tc=85°C | L90 48,000 hours at Tc=85°C
- Beam Angle: 120 degrees
- Linkable in parallel with different length modules

PHYSICAL SPECIFICATIONS



Part Number	Size/mm	Voltage Typ (VDC)	Voltage Max (VDC)	Current Typ (mA)	Power Typ (W)	Flux Lm	Efficiency Up to LM/W	CCT K	CRI
LE80/070020/9xx	560 x 24	29	31	700	20	2727/2773	136/138	3000/4000	90

- Dimensions**
- Length: 22.05"
 - Width: 0.95"

Note 1: LE80/XXXXXX/9xx (xx=30 3000K, xx = 40 4000K CCT)
Note 2: Typical Optical-electronic parameters above @ Ta=25°C.

PERFORMANCE SPECIFICATIONS

4000K

DRIVING CURRENT (mA)	FLUX (Lum)	Efficiency (Lum/W)
700	2773	138
525	2123	143
350	1439	148
175	729	154

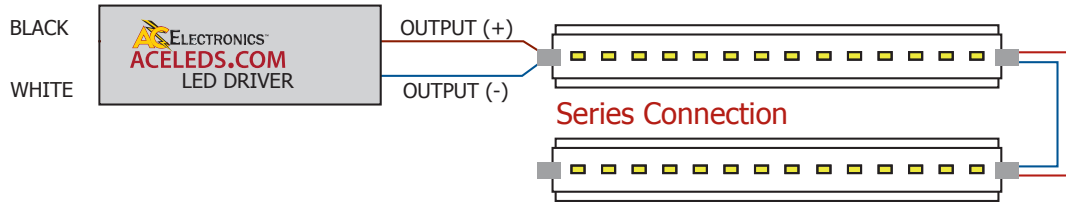
3000K

DRIVING CURRENT (mA)	FLUX (Lum)	Efficiency (Lum/W)
700	2727	136
525	2088	141
350	1416	146
175	717	151

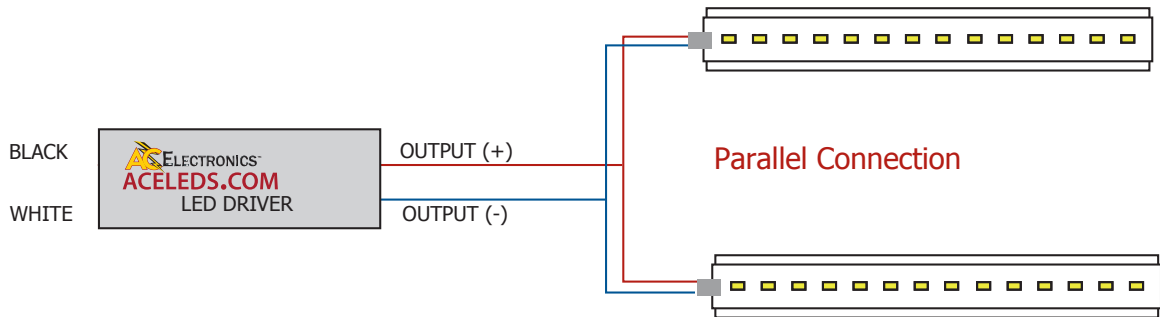
* Nominal Values Shown. Actual Values May Vary Based on Tolerances and Ambient Temperature.

LE80/070020/9xx

WIRING DIAGRAM 1



WIRING DIAGRAM 2



Note: When output current of driver \geq 700mA, wire modules according to Wiring Diagram 2



Driver Model	Driver Voltage Range	Driver Current Range	Driver Wattage
AC25CD700AT2Q	24-36V	700, 500, 350mA	25W

CATALOG NUMBER BREAKDOWN

