

LE40/035010/9xx

DESCRIPTION:

High efficacy constant current linear LED modules, 11” long

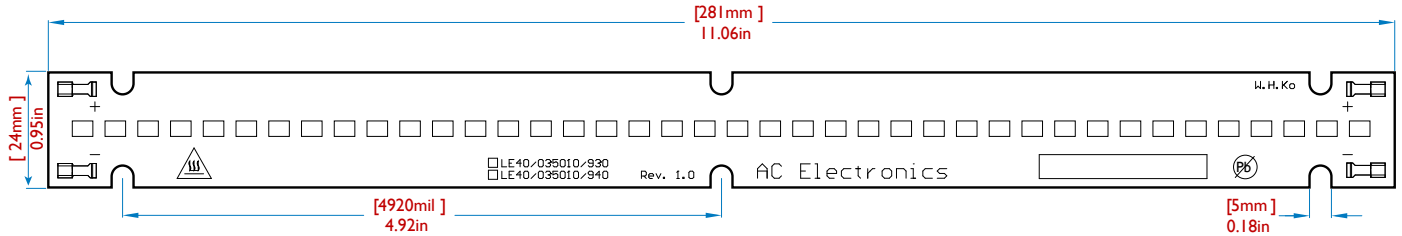
MODULE TYPE Linear	COLOR RENDERING INDEX (CRI): 90
MODULE POWER: 10W	RECOMMENDED WIRING: Parallel Connection
DRIVE CURRENT: 350mA	Warranty: 7 Years

PRODUCT FEATURES

- Title 24 Compatible
- For Use in Class 2 Lighting Systems Only
- Low Profile, Push-In Connectors
- Made with UL Recognized Components
- High efficiency up to 138 lm/W @Max Current
- 2835 LED Chip Package

- Reported Life Expectancy: L70>54,000 hours at Tc=85°C | L90 48,000 hours at Tc=85°C
- Calculated Life Expectancy: L70>160,000 hours at Tc=85°C | L90 48,000 hours at Tc=85°C
- Beam Angle: 120 degrees
- Linkable in parallel with different length modules

PHYSICAL SPECIFICATIONS



Part Number	Size/mm	Voltage Typ (VDC)	Voltage Max (VDC)	Current Typ (mA)	Power Typ (W)	Flux Lm	Efficiency Up to LM/W	CCT K	CRI
LE40/035010/9xx	281 x 24	29	31	350	10	1364/1386	136/138	3000/4000	90

- Dimensions**
- Length: 11.06”
 - Width: 0.95”

Note 1: LE40/XXXXXX/9xx (xx=30 3000K, xx = 40 4000K CCT)
Note 2: Typical Optical-electronic parameters above @ Ta=25°C.

PERFORMANCE SPECIFICATIONS

4000K

DRIVING CURRENT (mA)	FLUX (Lum)	Efficiency (Lum/W)
350	1386	138
263	1061	143
175	720	148
88	365	154

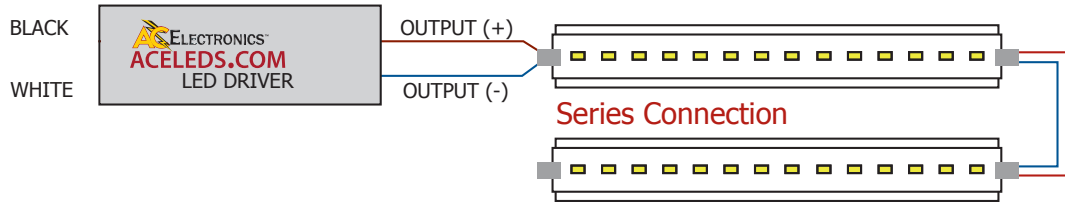
3000K

DRIVING CURRENT (mA)	FLUX (Lum)	Efficiency (Lum/W)
350	1364	136
263	1044	141
175	708	146
88	359	151

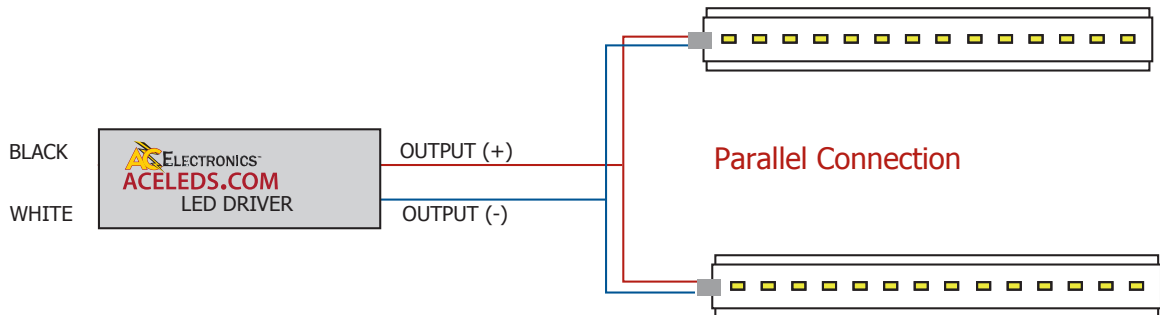
* Nominal Values Shown. Actual Values May Vary Based on Tolerances and Ambient Temperature.

LE40/035010/9xx

WIRING DIAGRAM 1



WIRING DIAGRAM 2



Note: When output current of driver \geq 700mA, wire modules according to Wiring Diagram 2



Driver Model	Driver Voltage Range	Driver Current Range	Driver Wattage
AC25CD700AT2Q	24-36V	700, 500, 350mA	25W

CATALOG NUMBER BREAKDOWN

Modules

