



UV Germicidal Program Start Ballast

Lamp Types

**SANUVOX LMPRGX J105 • TUV36T5
HOP4P/SE • I4-00047-001R**

Ballast Type: Electronic

Starting method: Program Start

Lamp connection: Series

Input voltage: 120-277V

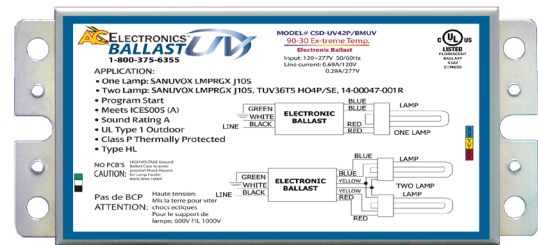
Input frequency: 50/60Hz

Mounting: Bottom Mount

Warranty: 5 Years TC $\leq 75^{\circ}\text{C}$

3 Years $75^{\circ}\text{C} \leq \text{TC} \leq 90^{\circ}\text{C}$

Model # - CSD-UV42P/BMUV



Electrical Specification with Different Lamps

Lamp Type	No. of Lamps	Input Voltage	Rated Lamp Watts	Start Temp Min (F/C)	Input Current (Amps)	Input Power (ANSI Watts)	Lamp Current (Amps)	IP Rating	THD Max. (%)	Power Factor	Lamp Current Crest Factor Max.
SANUVOX LMPRGX J105	2	120	30	32/0	0.69	82	0.807	30	10	0.99	1.7
		230			0.35				10	0.99	
		277			0.29				10	0.98	
SANUVOX LMPRGX J105	1	120	30	32/0	0.38	45.4	0.86	30	10	0.99	1.7
		230			0.20				10	0.98	
		277			0.17				15	0.97	
TUV36T5 HO4P/SE	1	120	75	32/0	0.60	71	0.84	30	10	0.99	1.7
		230			0.30				10	0.99	
		277			0.26				10	0.98	
I4-00047-001R	1	120	40	32/0	0.38	45	0.84	30	10	0.98	1.7
		230			0.20				10	0.98	
		277			0.17				15	0.97	

INSTALLATION:

- Install in accordance with the National Electrical Code
- Use with 600V rated wire
- Use external ground wire
- Do not connect any lamp lead to neutral
- Mounting side of ballast package must be in complete contact with metallic fixture surface for proper thermal dissipation

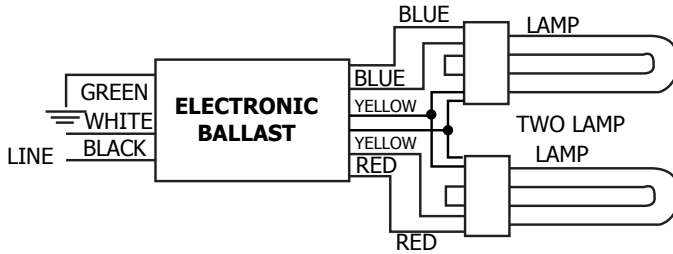
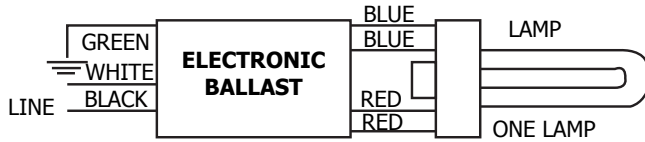
3401 Avenue D, Arlington, TX 76011 • 800-375-6355 • www.aceleds.com

Data is based upon tests performed by AC Electronics in a controlled environment and representative performance. Actual performance can vary depending on operating conditions. Specifications are subject to change without notice. All specifications are nominal unless otherwise noted.

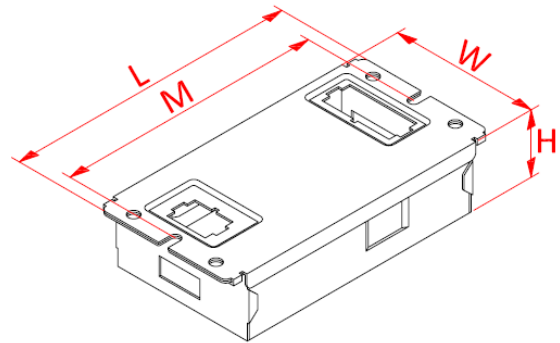


UV Germicidal Program Start Ballast

Lamp Types
SANUVOX LMPRGX J105 • TUV36T5
HOP4P/SE • I4-00047-001R



Model # - CSD-UV42P/BMUV



Dimensions			
Length	5"	Height	1.34"
Width	3"	Mounting Length	4.6"

SAFETY & Performance:

- One or Two lamps
- UL/cUL Listed
- UL Type I Outdoor
- Meets ICES005(A)
- FCC part 18 Class A
- Sound Rated Class A
- Class P Thermally Protected
- High Power Factor
- Surge Protected
- Auto Restart
- No PCBs
- Type HL
- End of Lamp life protection circuit, shuts down automatically and restarts



AC Electronics warrants to the purchaser that each electronic ballast will be free from defects in material or workmanship for a period of 3 years date of manufacture when operated at a max case temp of 90°C; 5 years when operated at a max case temp of <75°C, when properly installed and under normal conditions of use.

3401 Avenue D, Arlington, TX 76011 • 800-375-6355 • www.aceleds.com

Data is based upon tests performed by AC Electronics in a controlled environment and representative performance. Actual performance can vary depending on operating conditions. Specifications are subject to change without notice. All specifications are nominal unless otherwise noted.