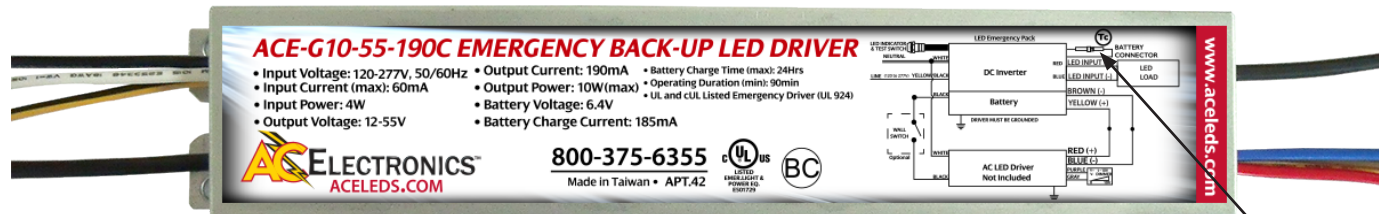


**ACE-G10-55-190C**



**EMERGENCY POWER:** Battery Type/Model No.: LiFePO4 6.4VDC with 3300mAh

Output Power Max	Input Power	Input Current Max	Operating Duration Min.	Battery Charge Time Max.	Output Voltage	Output Current	Battery Voltage	IP Rating	Battery Charge Current	Battery Type
10W	4W	60mA	90min.	24Hrs	12-55V	181mA	6.4V	30	185mA	LiFePO4



**Description:**

This AC Electronics UL Listed Emergency Backup Driver allows a single fixture to be used for both regular and emergency (loss of power) operations. If power fails, this emergency driver switches to “Emergency Mode”. It will then operate the LED modules for 90 minutes at an output voltage in the range of 12-55V. It can be used in conjunction with switched and

unswitched fixture applications. During Emergency operation, this driver will drive any LED module that is designed to accept a constant current input of 181mA and has an input voltage in the range of 12-55V.

**Product Features:**

- At least 90 minute operation in emergency mode
- Wide range input voltage - range - 120-277VAC
- Test switch and AC Power-On LED indicator for self-dignostic test
- Operating Temperature Range 0°C Through 55°C
- Up to 87% Efficiency
- Surge Protection - 3kV
- Open/Short/Over-Voltage/Over Temperature protection

**SAFETY:**

- UL and cUL Listed as an LED emergency driver (UL 924)
- UL/cUL Class 2
- UL Classified Field or Factory Installation
- Two-wire universal AC Input
- Self-sensing output voltage adjusts to various LED loads
- Includes battery status indicator
- Long life high temperature LiFePO4 battery
- Maximum Case Temperature 66°C @ 3-Year warranty
- Warranty: 5 years based on a max. case temp. of ≤60°C\*
- AC Driver maximum output current = 8.0 Amps
- Soft-switching to prevent voltage spikes and increase longevity of the LED modules

**Product Benefits:**

- Title 24 compatible
- Maintains constant emergency light levels. No power/light degradation throughout the 90-minute runtime.
- Can be used with existing or new fixtures.
- LiFePO4 batteries have a life span up to 10 times longer than that of traditional lead acid batteries. They also operate with much lower resistance and consequently recharge at a faster rate.
- CEC Title 20 Compliant

**Applications:**

- New and existing fixtures
- Emergency back-up installations
- Emergency only fixtures
- With constant current Class 2 LED driver

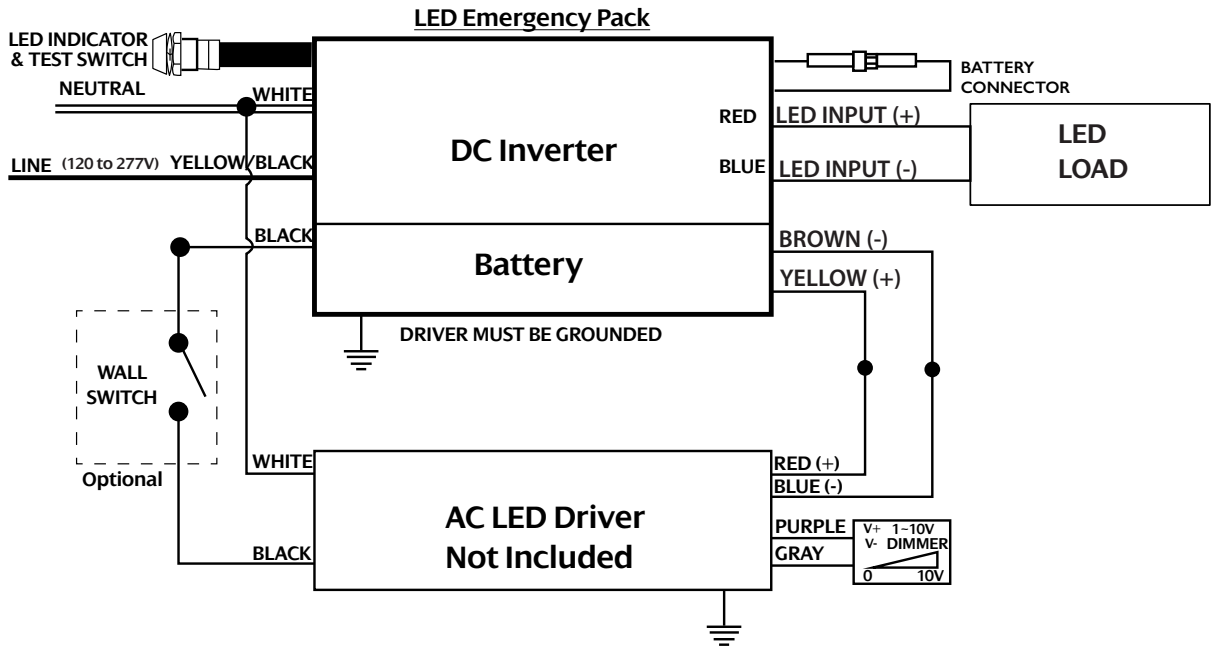
**5-Year USA-Backed Warranty\***  
**See complete AC Warranty information for details**

**ACE-G10-55-190C**

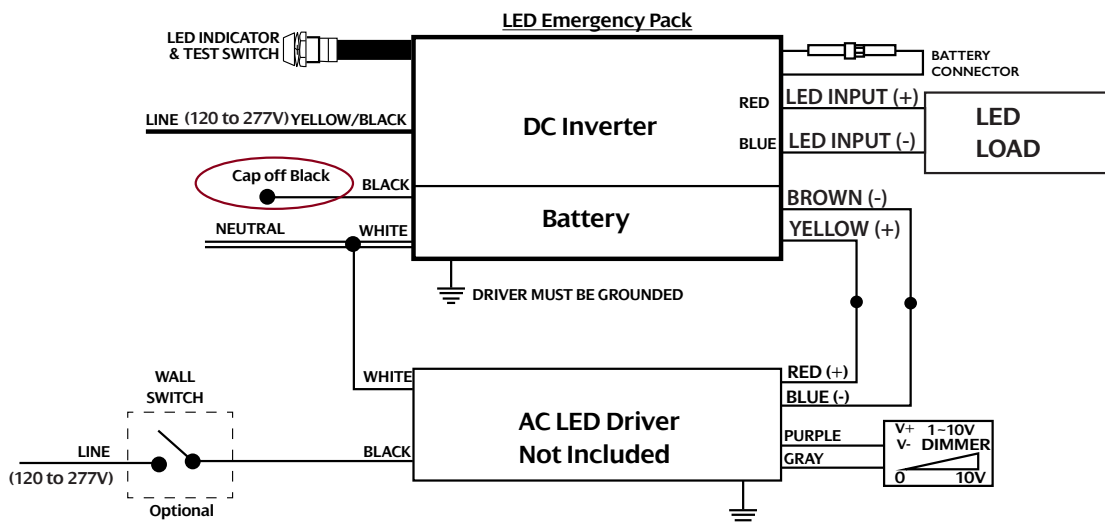


**WIRING:**

Recommended  
 (USE IF AN EXTERNAL SWITCHED LINE IS NOT AVAILABLE)



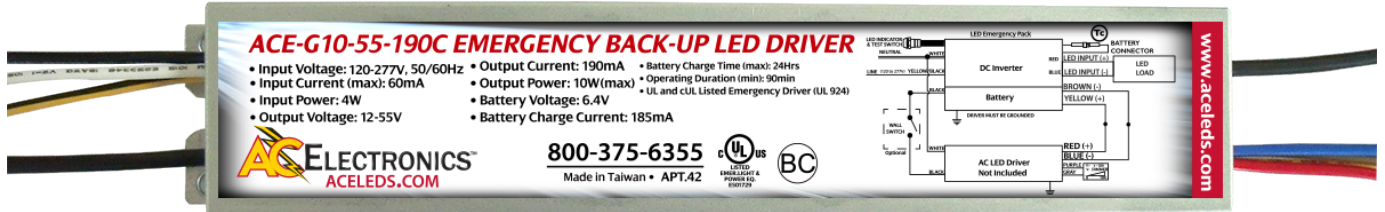
Alternate  
 (USE IF AN EXTERNAL SWITCHED LINE IS AVAILABLE)



**ACE-G10-55-190C**



**ENCLOSURE:**



Lead Lengths					
Black	5.9"	Blue	5.9"	Brown	5.9"
White	5.9"	Red	5.9"	Led Indicator	30.7"
Yellow/Black	5.9"	Yellow	5.9"	& Test Switch	

Dimensions			
Length	9.5"	Height	1.14"
Width	1.7"	Mounting Length	8.9"

**INSTALLATION:**

This emergency backup driver may be used with either a switched or unswitched fixture. If a switched fixture is used, an unswitched hot lead must be connected to this emergency backup driver to allow its battery to charge when AC power is available. The emergency backup driver

must be fed from the same branch circuit as the AC powered driver (if used). This emergency backup driver should NOT be installed with fixtures where the ambient temperature may fall below 0 °C (32°F).

- Maximum remote mounting distance to LEDs is 18 feet.
- The emergency backup driver case should be grounded.
- 18 AWG 600V/105°C tinned stranded copper lead-wires required for installation.
- The emergency backup driver shall be installed inside an electrical enclosure.

\*AC Electronics/AC LED Power Designs warrants to the purchaser that each EMB Driver will be free from defects in material or workmanship for a period of 5 years when operated at max case temp of up to <60°C when properly installed and under normal conditions of use. See [aceleds.com](http://aceleds.com) for complete warranty policy.

**ACE-G10-55-190C**

