

Constant Current LED Driver

Model Number AC10CT250KT2K

Input Voltage: 120VAC (±10%)

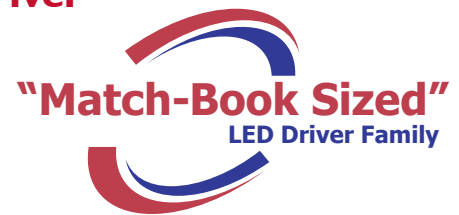
Input Frequency: 60Hz

Side Mount/Leads

Surge Protection: 2Kv

Multi-Switching Current

TRIAC Dimming



The Smallest Possible Form Factors™
2.29"

PHYSICAL:

Dimensions	
Length	2.29"
Width	1.20"
Height	0.91"
Mounting	2.2"
Weight	0.1 lbs.

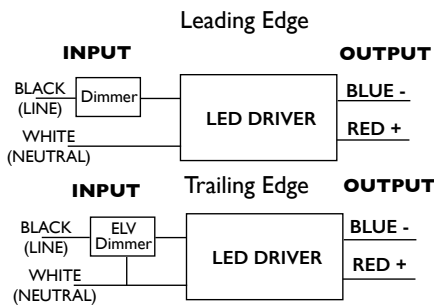


ELECTRICAL SPECIFICATIONS:

TRIAC Dimming/Class P Listed

Output Power Max.	Input Power	Input Current	Minimum PF (full load)	Max. THD (full load)	Output Voltage	Output Current	T case Max.	Minimum Starting Temp.	IP Rating	Dimming Protocol	Dimming Range	Efficiency Up To
10W	11.8W	0.11A@120V	>0.9	<20	32-40V	250mA±5%	75° C	0° C	20	Phase Cut	≤5% to 100% Dim-to-Off	80%
7W	8.2W	0.08A@120V	>0.9	<20	32-40V	175mA±5%	75° C	0° C	20	Phase Cut	≤5% to 100% Dim-to-Off	80%
4W	5W	0.05A@120V	>0.9	<20	32-40V	100mA±5%	75° C	0° C	20	Phase Cut	≤5% to 100% Dim-to-Off	80%

WIRING:



Lead Lengths

Black	6"	Blue	6"
White	6"	Red	6"

**** Also Compatible With select Trailing Edge Dimmers**

Dimmer Compatibility Chart on page 3

SAFETY & PERFORMANCE:

- Class P Listed
- Class A sound rating
- No PCBs
- Open/Short Circuit Protection
- LED driver has a life expectancy of 50,000 hours at Tcase of ≤75°C
- Warranty: 5 yrs based on max case temp of 75°C*
- Input/Output Isolation
- Surge Protection (2 KV)
- Title 24 Compatible (Depending on LED)
- FCC part 15 Class B (Without Dimmer)
- Class 2

INSTALLATION:

- LED drivers shall be installed inside electrical enclosures
- 22 AWG 600V/105C tinned stranded copper lead-wires are required to use in installation
- Max Remote installation distance is 33 ft

*AC Electronics/AC LED Power Designs warrants to the purchaser that each LED Driver will be free from defects in material or workmanship for a period of 5 years from date of manufacture when operated at max case temp of up to ≤75°C when properly installed and under normal conditions of use. See aceleds.com for complete warranty policy.

3401 Avenue D, Arlington, TX 76011 • 800-375-6355 • www.aceleds.com



Data is based upon tests performed by AC Electronics in a controlled environment and representative performance. Actual performance can vary depending on operating conditions. Specifications are subject to change without notice. All specifications are nominal unless otherwise noted.



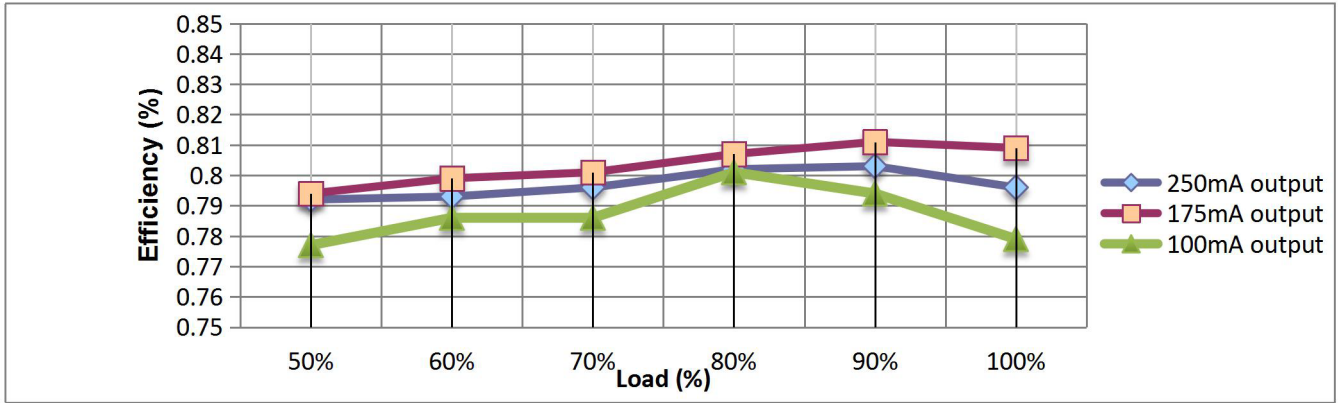
©2021
10/21/2021



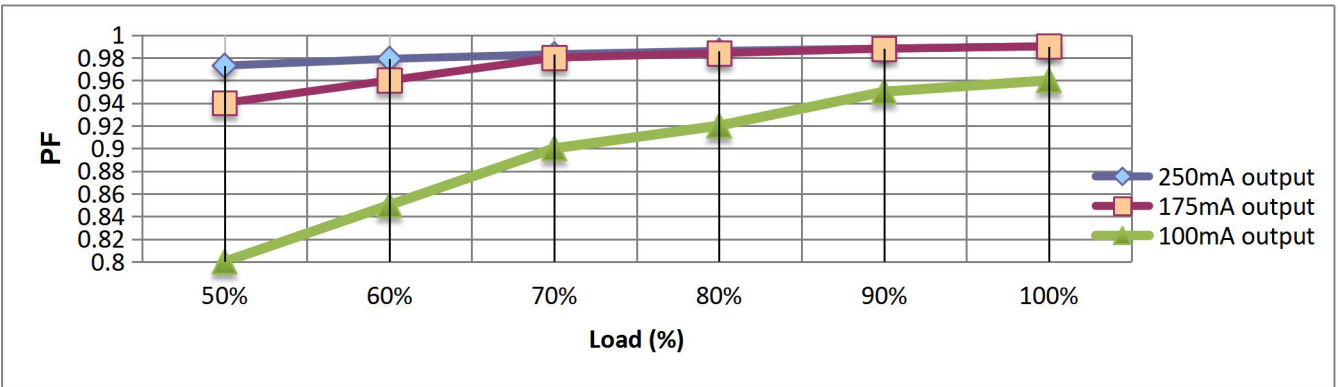
“Match-Book Sized” LED Driver Family

The Smallest Possible Form Factors™

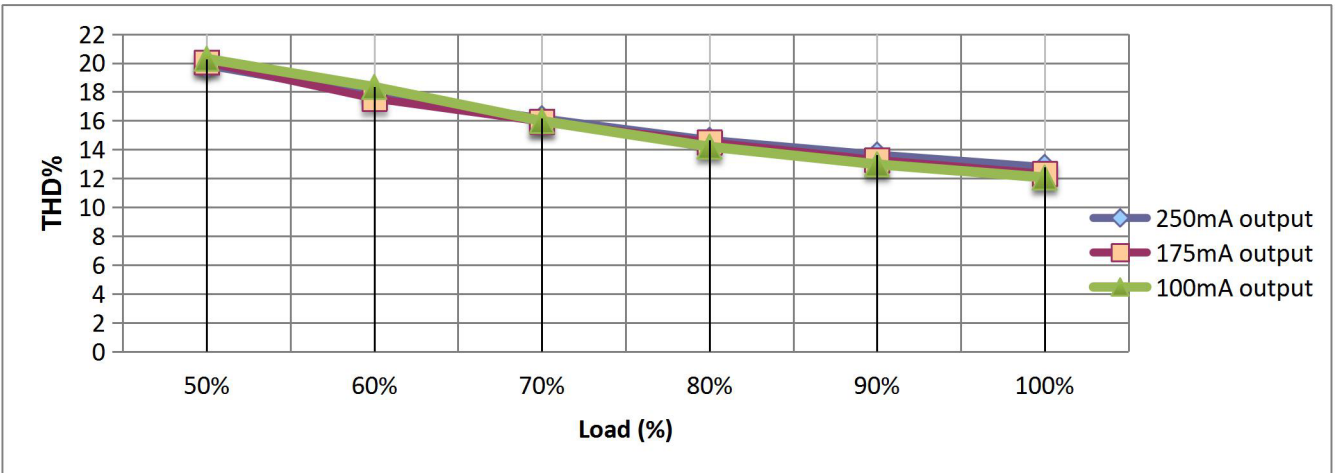
AC10CT250KT2K



Efficiency Vs. Output Power



Power Factor Vs. Output Power



THD Vs Output Power



“Match-Book Sized” LED Driver Family
The Smallest Possible Form Factors™
AC10CT250KT2K

Leading Edge Dimmer Compatibility		
Manufacturer	Model	Dimming Type
Leviton	6674	LEADING
Leviton	6684	LEADING
Leviton	RPI06	LEADING
Leviton	IPI06	LEADING
Leviton	6615	TRAILING
Lutron	NTLV-600	LEADING
Lutron	DV-103P	LEADING
Lutron	Skylark S-600P	LEADING
Lutron	DVCL-153P	LEADING

****Dimming Rate variable depending on Dimmer and LED Light source**