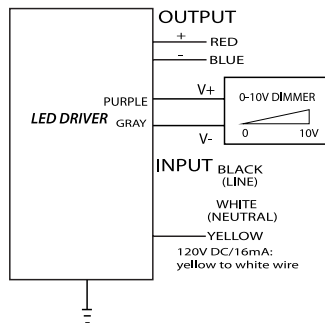


MULTI-CURRENT SWITCHING AND DIMMING

ELECTRICAL SPECIFICATIONS:

Output Power Max.	Input Power	Input Current	Min. PF (full load)	Max. T HD (full load)	Output Voltage	Output Current	T case Max.	Min. Start Temp.	Efficiency Up To	IP Rating	Dimming Protocol	Dimming Range
18W	25W @ 347V	0.08A @ 347V	>0.9	<20%	16-20V	900mA±5%	90° C	-40° C	70%	64	0 to 10V	10 to 100%
15W	22W @ 347V	0.06A @ 347V	>0.9	<20%	16-20V	750mA±5%	90° C	-40° C	68%	64	0 to 10V	10 to 100%
9W	14W @ 347V	0.04A @ 347V	>0.9	<20%	16-20V	450mA±5%	90° C	-40° C	66%	64	0 to 10V	10 to 100%

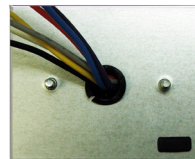
WIRING:



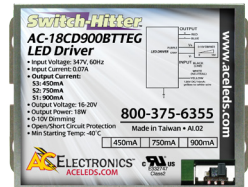
Lead Lengths					
Black	5.9"	Blue	5.9"	Purple	5.9"
White	5.9"	Red	5.9"	Gray	5.9"

PHYSICAL:

Side Mount
Model No:
AC-18CD900BTTEG



Bottom Mount
Model No:
AC18CD900BTBTEG



Bottom Mount Dimensions

- Length: 3.78"
- Width: 3.07"
- Height: 1.22"
- Mounting: 2" Stud to Stud
- Weight: XX
- Case Qty: XX

Side Mount Dimensions

- Length: 4.37"
- Width: 3.07"
- Height: 1.26"
- Mounting: 4.02"
- Weight: XX
- Case Qty: XX

SAFETY & PERFORMANCE:

- UL and cUL certified
- UL1310 Class 2
- UL Outdoor Type I
- Class A sound rating
- No PCBs
- IP64
- Open/Short Circuit Protection
- LED driver has a life expectancy of 50,000 hours at Tcase of ≤75°C
- LED driver has a life expectancy of 100,000 hours at Tcase of ≤65°C
- Warranty: 5 yrs based on max case temp of <75°C; 3 yrs based on max case temp of 90°C*
- Input/Output Isolation
- FCC Title 47 CFR Part 15
- Surge Protection (3 Kv)

INSTALLATION:

- Max Remote installation distance is 18 ft
- LED driver cases should be grounded
- LED drivers shall be installed inside electrical enclosures
- 18 AWG 600V/105C tinned stranded copper lead-wires are required for installation



*AC Electronics/AC LED Power Designs warrants to the purchaser that each LED Driver will be free from defects in material or workmanship for a period of 5 years when operated at max case temp of up to <75°C; 3 years from date of manufacture when operated at a max case temp of up to 90°C when properly installed and under normal conditions of use. See aceleds.com for complete warranty policy.

3401 Avenue D, Arlington, TX 76011 • 800-375-6355 • www.aceleds.com

Data is based upon tests performed by AC Electronics in a controlled environment and representative performance. Actual performance can vary depending on operating conditions. Specifications are subject to change without notice. All specifications are nominal unless otherwise noted.

