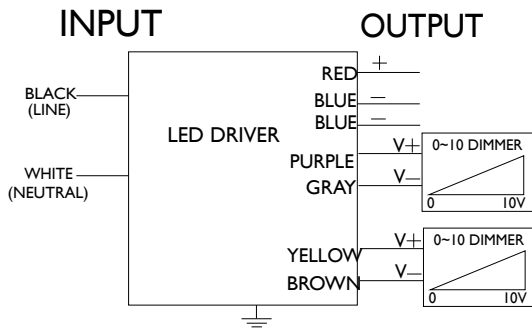




**ELECTRICAL SPECIFICATIONS:**

Output Power Max	Input Current	Input Power	Min PF (full load)	Max THD (full load)	Output Voltage	Output Current	T case Max	Min. Starting Temp	Efficiency Up To	IP Rating	Dimming Protocol	Dimming Range
15W	0.3A@120V 0.13A@277V	36W	>0.9	<20	20-33V	450mA +/- 5%	90°C	-40°C	83%	66	0 to 10V	10 to 100%

**WIRING:**



**PHYSICAL:**



Dimensions	
Length	9.5"
Width	1.7"
Height	1.14"
Mounting Length	8.9"
Weight	xx lbs.
Case Qty.	xx pcs.

Lead Lengths					
Black	5.9"	Blue	5.9"	Purple	5.9"
White	5.9"	Red	5.9"	Gray	5.9"

**SAFETY:**

- UL and cUL certified
- Class 2
- Class A sound rating
- Overload Protection
- Open/Short Circuit Protection
- LED driver has a life expectancy of 50,000 hours at Tcase of  $\leq 75^{\circ}\text{C}$
- LED driver has a life expectancy of 100,000 hours at Tcase of  $\leq 65^{\circ}\text{C}$
- Warranty: 5 yrs based on max case temp of  $< 75^{\circ}\text{C}$ ; 3 yrs based on max case temp of  $90^{\circ}\text{C}^*$
- Input/Output Isolation
- FCC Title 47 CFR Part 15
- Surge Protection (3 Kv)

**INSTALLATION:**

- LED drivers shall be installed inside electrical enclosures
- 18 AWG 600V/105C tinned strand copper lead-wires are required for installation
- Max Remote installation distance is 18 ft
- LED driver cases should be grounded



\*AC Electronics/AC LED Power Designs warrants to the purchaser that each LED Driver will be free from defects in material or workmanship for a period of 5 years when operated at max case temp of up to  $< 75^{\circ}\text{C}$ ; 3 years from date of manufacture when operated at a max case temp of up to  $90^{\circ}\text{C}$  when properly installed and under normal conditions of use. See [aceleds.com](http://aceleds.com) for complete warranty policy.



3401 Avenue D, Arlington, TX 76011 • 800-375-6355 • [www.aceleds.com](http://www.aceleds.com)

Data is based upon tests performed by AC Electronics in a controlled environment and representative performance. Actual performance can vary depending on operating conditions. Specifications are subject to change without notice. All specifications are nominal unless otherwise noted.

