



Programmable Digital, Wide-Range
Adjustable Current & Dimming,
Remote High Frequency
Occupancy Sensor
Class P Listed

Constant Current LED Driver

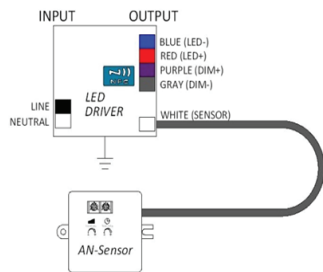
Model Number ACI5CD700AP3Q

Input Voltage: 120-277V
Input Frequency: 50/60Hz
Side Mount/Leads
FOR INDOOR USE ONLY!

ELECTRICAL SPECIFICATIONS:

Output Power Max	Input Power	Input Current	Min PF (full load)	Max THD (full load)	Output Voltage	Output Current	T case Max	IP Rating	Dimming Protocol	Dimming Range	Min Start Temp	Efficiency Up To
15W	19W	0.27A@120V 0.11A@277V	≥0.9	≤20	15-55V	100mA - 700mA ±20%	90°C	64	0 to 10V	1 to 100%	0°C	78%

WIRING:



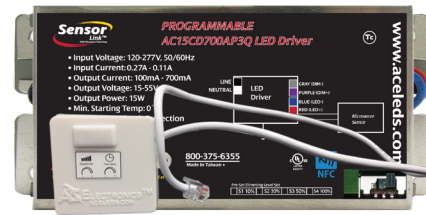
Lead Lengths

Black	5.9"	Blue	5.9"	Purple	7.1"
White	5.9"	Red	5.9"	Gray	7.1"

Microwave Sensor	18"
------------------	-----

Microwave Occupancy Sensor SPECS on the Back

PHYSICAL:



Dimensions

Length	6.5"	Height	1.18"
Width	2.9"	Mounting Length	5.9"

Tref max Value (°C)	Tc/Tref Value (°C)	Ta Value (°C)
90	48.5	40

SAFETY:

- Class P Listed
- Class A sound rating
- Overload Protection
- Open/Short Circuit Protection
- LED driver has a life expectancy of 50,000 hours at Tcase of ≤75°C
- LED driver has a life expectancy of 100,000 hours at Tcase of ≤65°C
- Warranty: 5 yrs based on max case temp of 75°C; 3 yrs based on max case temp of 90°C*
- Programmable Output Current
- Conventional 0-10V Dimming Driver When Sensor Not Connected
- Connecting Sensor Provides:
 - o Switch to Full Brightness When Area Occupied
 - o Switch to Pre-Selected Dimming Level When Area Not Occupied
- Input/Output Isolation
- FCC Title 47 CFR Part 15
- Surge Protection (2 KV)
- S4: 100%(Off) Enables External Dimmer
- Dim-To-Off Programming Option
 - o Inactive: Code = 51 02 00 07 (Default)
 - o Active: Code = 51 02 01 07

INSTALLATION:

- Max Remote installation distance is 18 ft
- LED driver cases should be grounded
- LED drivers shall be installed inside electrical enclosures
- 18 AWG 600V/105C tinned stranded copper lead-wires are required for installation



*AC Electronics/AC LED Power Designs warrants to the purchaser that each LED Driver will be free from defects in material or workmanship for a period of 5 years when operated at max case temp of up to 75°C; 3 years from date of manufacture when operated at a max case temp of up to 90°C when properly installed and under normal conditions of use. See aceleds.com for complete warranty policy.

3401 Avenue D, Arlington, TX 76011 • 800-375-6355 • www.aceleds.com

Data is based upon tests performed by AC Electronics in a controlled environment and representative performance. Actual performance can vary depending on operating conditions. Specifications are subject to change without notice. All specifications are nominal unless otherwise noted.

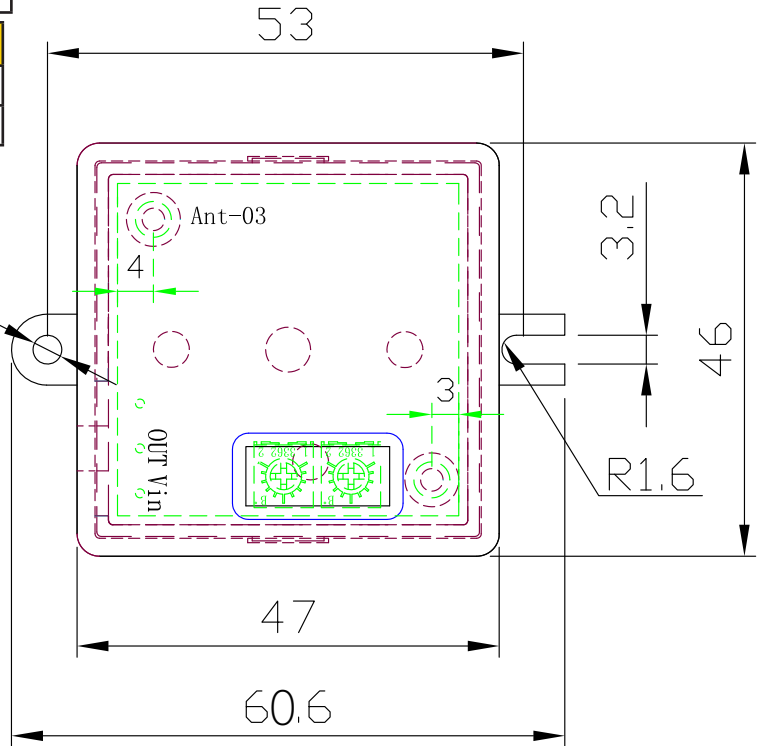


Microwave Occupancy Sensor Electrical Specifications

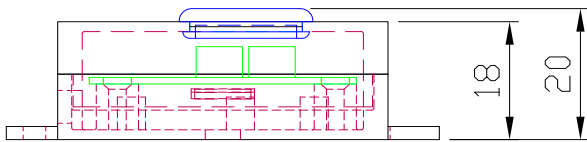
Operating Temperature	Sensitivity	Time Delay
-20~+50°C	6m (Max)	1 sec-15 minutes

Dimensions			
Length	2.38"	Height	0.71"
Width	1.77"	Mounting Length	2.1"

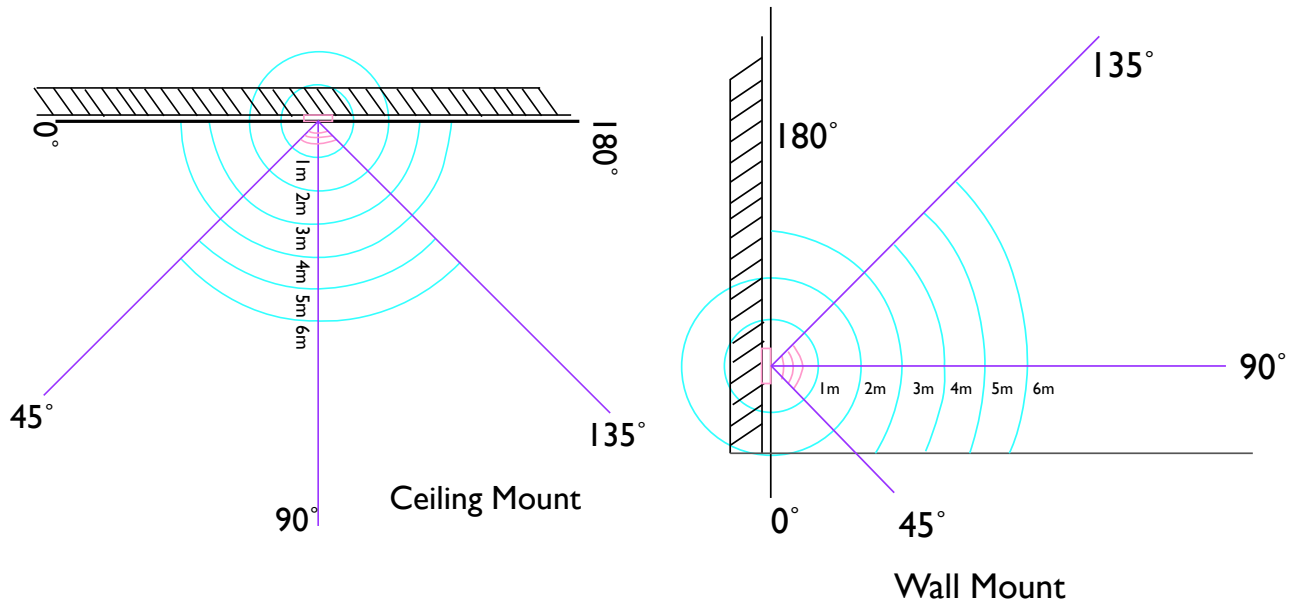
**Enclosure - Microwave Sensor
Dimensions on diagram in mm**



Enclosure - Microwave Sensor - Height



Sensor Coverage Area



3401 Avenue D, Arlington, TX 76011 • 800-375-6355 • www.aceleds.com

Data is based upon tests performed by AC Electronics in a controlled environment and representative performance. Actual performance can vary depending on operating conditions. Specifications are subject to change without notice. All specifications are nominal unless otherwise noted.

Performance Characteristics

Phone Instructions

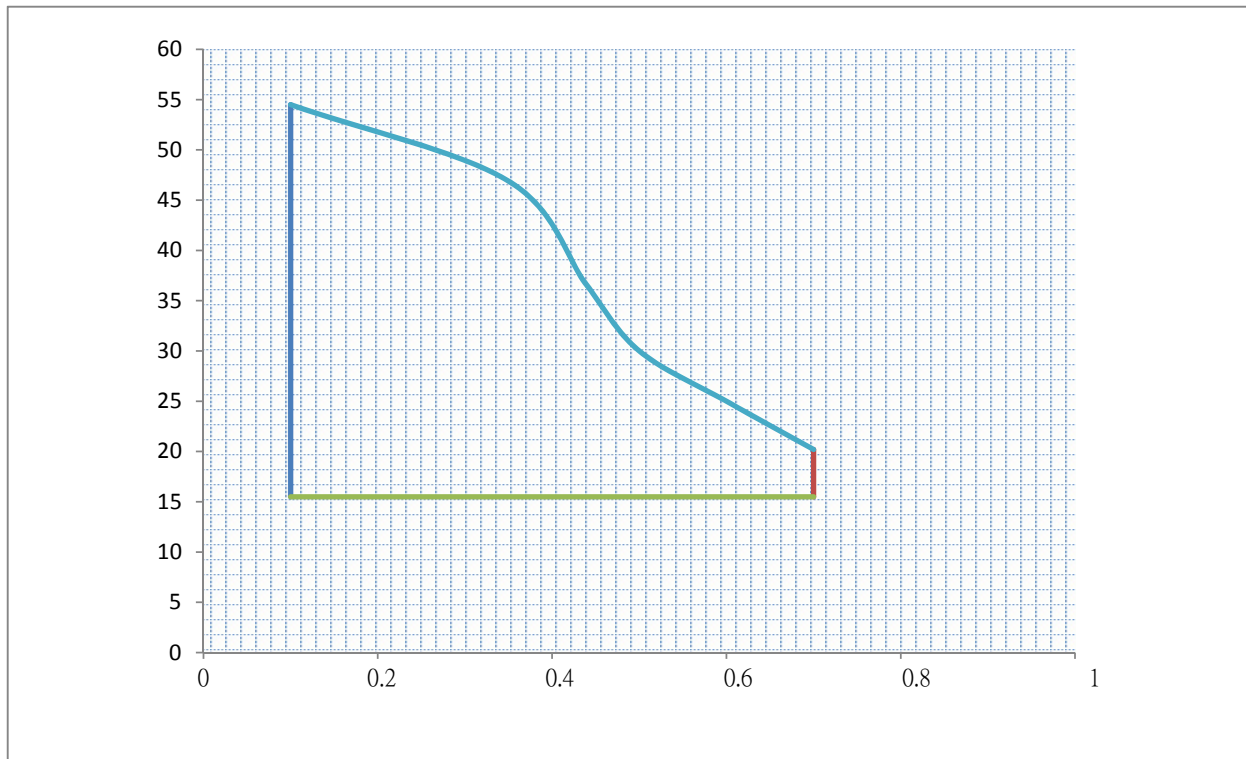
First you must have a Android device (phone/tablet) with NFC-V app downloaded.
 Open App; then place the device on top of the driver matching up sensors until it syncs up
 Basic format
 Write
 Insert the appropriate code from chart above
 Write
 Successfully written will appear



To Check: Read
 Read
 Shows you the Block - 00 00 00 00
 This is where the code you input appears

IOUT/VOUT CURVE

Use with NFC-V Reader App Available Free at Google App Store



CONTROL THE IOUT WITH THE PROGRAMMING WAND. DOWNLOAD SOFTWARE FROM <http://www.aceleds.com/products-programmable.php>

3401 Avenue D, Arlington, TX 76011 • 800-375-6355 • www.aceleds.com

Data is based upon tests performed by AC Electronics in a controlled environment and representative performance. Actual performance can vary depending on operating conditions. Specifications are subject to change without notice. All specifications are nominal unless otherwise noted.