

Constant Current LED Driver

Model Number
AC-DI2C350UVH

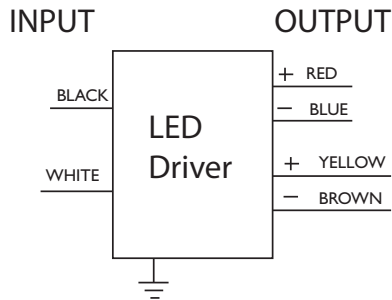
Input Voltage: 120-277V
Input Frequency: 50/60Hz
Side Mount/Leads



ELECTRICAL SPECIFICATIONS:

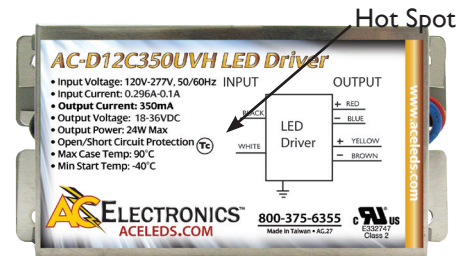
Output Power Max	Input Power	Input Current	Min PF (full load)	Max THD (full load)	Output Voltage	Output Current	T case Max	Minimum Starting Temp	Efficiency Up To	IP Rating
24W	30W	0.296A @ 120V 0.1A @ 277V	0.90	20%	18 - 36V	350mA±5%	90° C	-40° C	80%	IP65

WIRING:



Wiring Lead Lengths	
Black	5.9"
White	5.9"
Red	5.9"
Blue	5.9"
Yellow	5.9"
Brown	5.9"

PHYSICAL:



Dimensions	
Length	5.23"
Width	2.48"
Height	1.18"
Mounting Length	4.84"

SAFETY:

- UL certified
- UL1310 Class 2
- UL Outdoor Type I
- Class A sound rating
- Overload Protection
- Open/Short Circuit Protection
- LED driver has a life expectancy of 50,000 hours at Tcase of ≤75°C
- LED driver has a life expectancy of 100,000 hours at Tcase of ≤65°C
- Warranty: 5 yrs based on max case temp of <75°C; 3 yrs based on max case temp of 90°C*
- Input/Output Isolation
- FCC Title 47 CFR Part 15
- Surge Protection (2 KV)

INSTALLATION:

- LED drivers shall be installed inside electrical enclosures
- 18 AWG 600V/105C tinned strand copper lead-wires are required for installation
- Max Remote installation distance is 18 ft
- LED driver cases should be grounded



*AC Electronics/AC LED Power Designs warrants to the purchaser that each LED Driver will be free from defects in material or workmanship for a period of 5 years when operated at max case temp of up to <75°C; 3 years from date of manufacture when operated at a max case temp of up to 90°C when properly installed and under normal conditions of use. See aceleds.com for complete warranty policy.

3401 Avenue D, Arlington, TX 76011 • 800-375-6355 • www.aceleds.com

Data is based upon tests performed by AC Electronics in a controlled environment and representative performance. Actual performance can vary depending on operating conditions. Specifications are subject to change without notice. All specifications are nominal unless otherwise noted.

