

**DIMMING**

Constant Current LED Driver

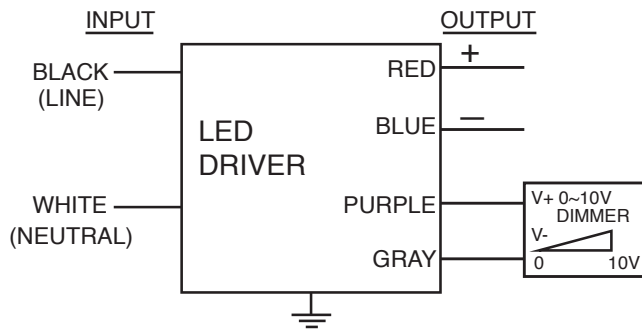
**Model Number  
AC-23CD670AKQ**

Input Voltage: 120-277V  
Input Frequency: 50/60Hz  
Side Mount/Leads

**ELECTRICAL SPECIFICATIONS:**

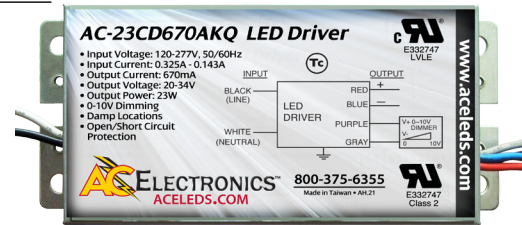
Output Power	Input Power	Input Current	Min PF (full load)	Max THD (full load)	Output Voltage	Output Current	T case Max	Min Starting Temp	Efficiency Up To	Dimming Protocol	Dimming Range
23W	28W	0.325A @ 120V, 0.143A @ 277V	>0.94	<20%	20 to 34V	670mA±5%	90° C	-40° C	83%	0 to 10V	10 to 100%

**WIRING:**



Lead Lengths					
Black	5.9"	Blue	5.9"	Purple	5.9"
White	5.9"	Red	5.9"	Gray	5.9"

**PHYSICAL:**



Dimensions	
Length	5.23"
Width	2.48"
Height	1.18"
Mounting Length	4.84"
Weight	xx lbs.
Case Qty.	xx pcs.

**SAFETY:**

- UL US
- cUL LVLE
- UL Outdoor Type I
- Class A sound rating
- No PCBs
- Open/Short Circuit Protection
- LED driver has a life expectancy of 50,000 hours at Tcase of ≤75°C
- LED driver has a life expectancy of 100,000 hours at Tcase of ≤65°C
- Warranty: 5 yrs based on max case temp of <75°C; 3 yrs based on max case temp of 90°C\*
- Input/Output Isolation
- FCC Title 47 CFR Part 15
- Surge Protection (2 KV)

**INSTALLATION:**

- LED drivers shall be installed inside electrical enclosures
- 18 AWG 600V/105C tinned strand copper lead-wires are required for installation
- Max Remote installation distance is 18 ft
- LED driver cases should be grounded



\*AC Electronics/AC LED Power Designs warrants to the purchaser that each LED Driver will be free from defects in material or workmanship for a period of 5 years when operated at max case temp of up to <75°C; 3 years from date of manufacture when operated at a max case temp of up to 90°C when properly installed and under normal conditions of use. See [aceleds.com](http://aceleds.com) for complete warranty policy.



3401 Avenue D, Arlington, TX 76011 • 800-375-6355 • [www.aceleds.com](http://www.aceleds.com)

Data is based upon tests performed by AC Electronics in a controlled environment and representative performance. Actual performance can vary depending on operating conditions. Specifications are subject to change without notice. All specifications are nominal unless otherwise noted.

