

DIMMING

Constant Current LED Driver

Model Number
AC-15CD440UV
AC-15CD440ABNR
AC-15CD440ABTNR

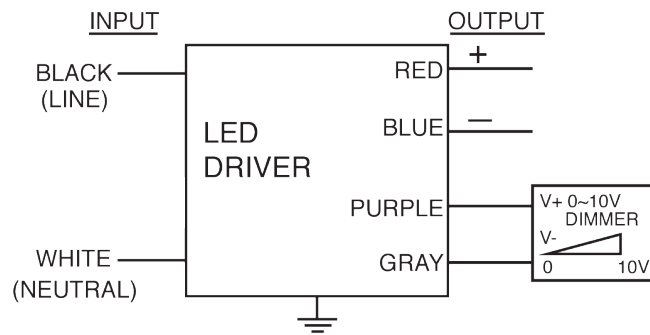
AC-15CD440ABSD (UL Pending)

Input Voltage: 120-277V
 Input Frequency: 50/60Hz
 Side Mount/Bottom Mount Leads

ELECTRICAL SPECIFICATIONS:

Output Power Max	Input Power	Input Current	Minimum PF (full load)	Max. THD (full load)	Output Voltage	Output Current	T case Max.	Min. Starting Temp.	Efficiency Up To	Dimming Protocol	Dimming Range	IP Rating
15W	19W @ 120V 19W @ 277V	0.16A @ 120V 0.07A @ 277V	>0.95	<20%	19 to 34V	440mA±5%	90°C	-40°C	82%	0 to 10V	10 to 100%	65

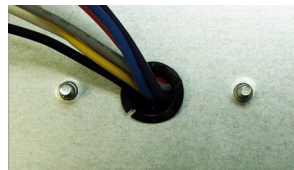
WIRING:



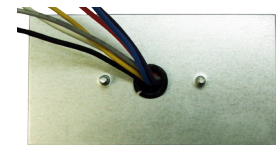
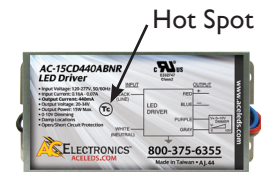
Lead Lengths

Black	5.9"	Blue	5.9"	Purple	5.9"
White	5.9"	Red	5.9"	Gray	5.9"

PHYSICAL:



Bottom Mount
AC-15CD440ABNR



Small Bottom Mount
AC-15CD440ABSD

Dimensions

	Length (L)	Width (W)	Height (H)	Mounting (M)	Weight	QTY
AC-15CD440UV	5.24"	2.48"	1.18"	4.84"	.83 lbs	40pcs.
AC-15CD440ABNR	4.56"	2.48"	1.18"	2.00"	xxx	xxx
AC-15CD440ABSD	3.78"	3.07"	1.22"	2.00"	xxx	xxx

Driver Option:

- 12V Output Tap Wire (AC-15CD440ABTNR)
- IP 67 Rating
- 10Kv Surge Protection
- 10% dimming, Dim-To-Off and 1%
- Consult Factory for model number and form factor

SAFETY & PERFORMANCE:

- UL and cUL Recognized
- IP65
- Warranty: 5 yrs based on max case temp of <75°C; 3 yrs based on max case temp of 90°C*
- Class 2
- Open/Short Circuit Protection
- Input/Output Isolation
- UL Outdoor Type I
- LED driver has a life expectancy of 50,000 hours at Tcase of ≤75°C
- FCC Title 47 CFR Part 15
- Class A sound rating
- LED driver has a life expectancy of 100,000 hours at Tcase of ≤65°C
- Surge Protection (3 KV)
- No PCBs
- 0-10V dimming dim to off

INSTALLATION:

- LED drivers shall be installed inside electrical enclosures
- Max Remote installation distance is 18 ft
- 18 AWG 600V/105C tinned strand copper lead-wires are required for installation
- LED driver cases should be grounded



*AC Electronics/AC LED Power Designs warrants to the purchaser that each LED Driver will be free from defects in material or workmanship for a period of 5 years when operated at max case temp of up to <75°C; 3 years from date of manufacture when operated at a max case temp of up to 90°C when properly installed and under normal conditions of use. See aceleds.com for complete warranty policy.

3401 Avenue D, Arlington, TX 76011 • 800-375-6355 • www.aceleds.com

Data is based upon tests performed by AC Electronics in a controlled environment and representative performance. Actual performance can vary depending on operating conditions. Specifications are subject to change without notice. All specifications are nominal unless otherwise noted.

